

J-400

English version

EDITION - 01/2007

CODE - 636332

Parts catalog



MÁQUINAS AGRÍCOLAS JACTO S.A.

Rua Dr. Luiz Miranda, 1650

17580-000 - Pompéia - SP - Brasil

Tel.: +55 14 3405-2100 - Fax: +55 14 3452 1306

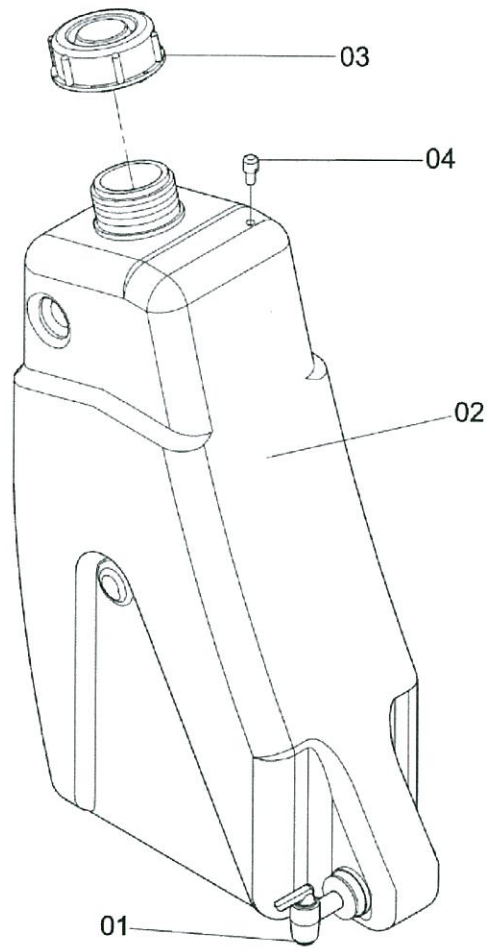
E-mail: export@jacto.com.br

Home page: <http://www.jacto.com.br>

J-400

EQUIPMENT	PAGE
JATÃO 400.....	4

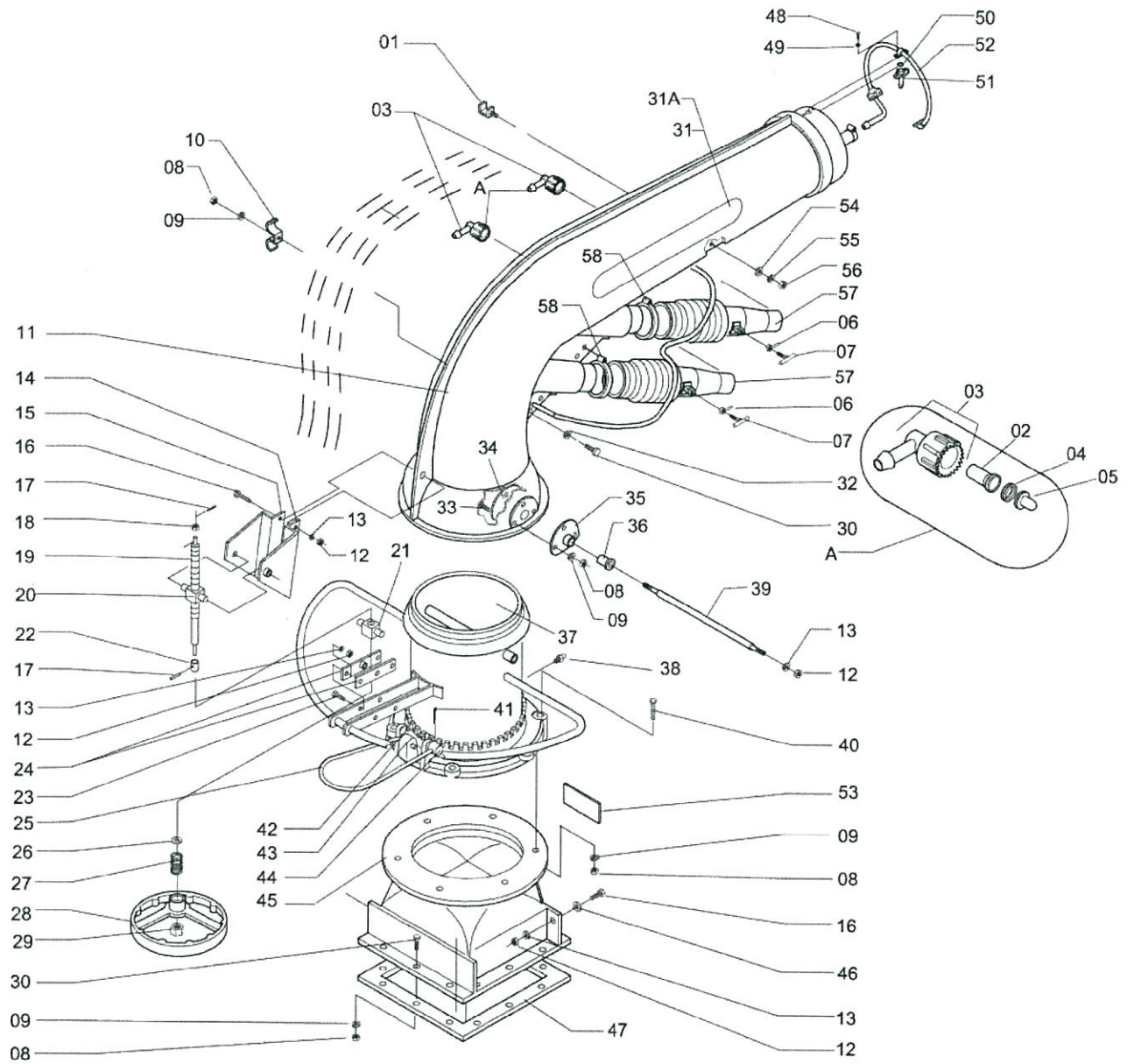
15 - LITER TANK



D-47

Item	CODE	DESCRIPTION	Qty.	Item	CODE	DESCRIPTION	Qty.
00	133215	15-liter tank- left	1				
01	044180	Plastic tap 23 x 3/8" BSP	1				
02	134064	15-liter tank - left	1				
03	247262	Cover	1				
04	247270	Breather	1				

SPRAY APPLICATION ASSEMBLY



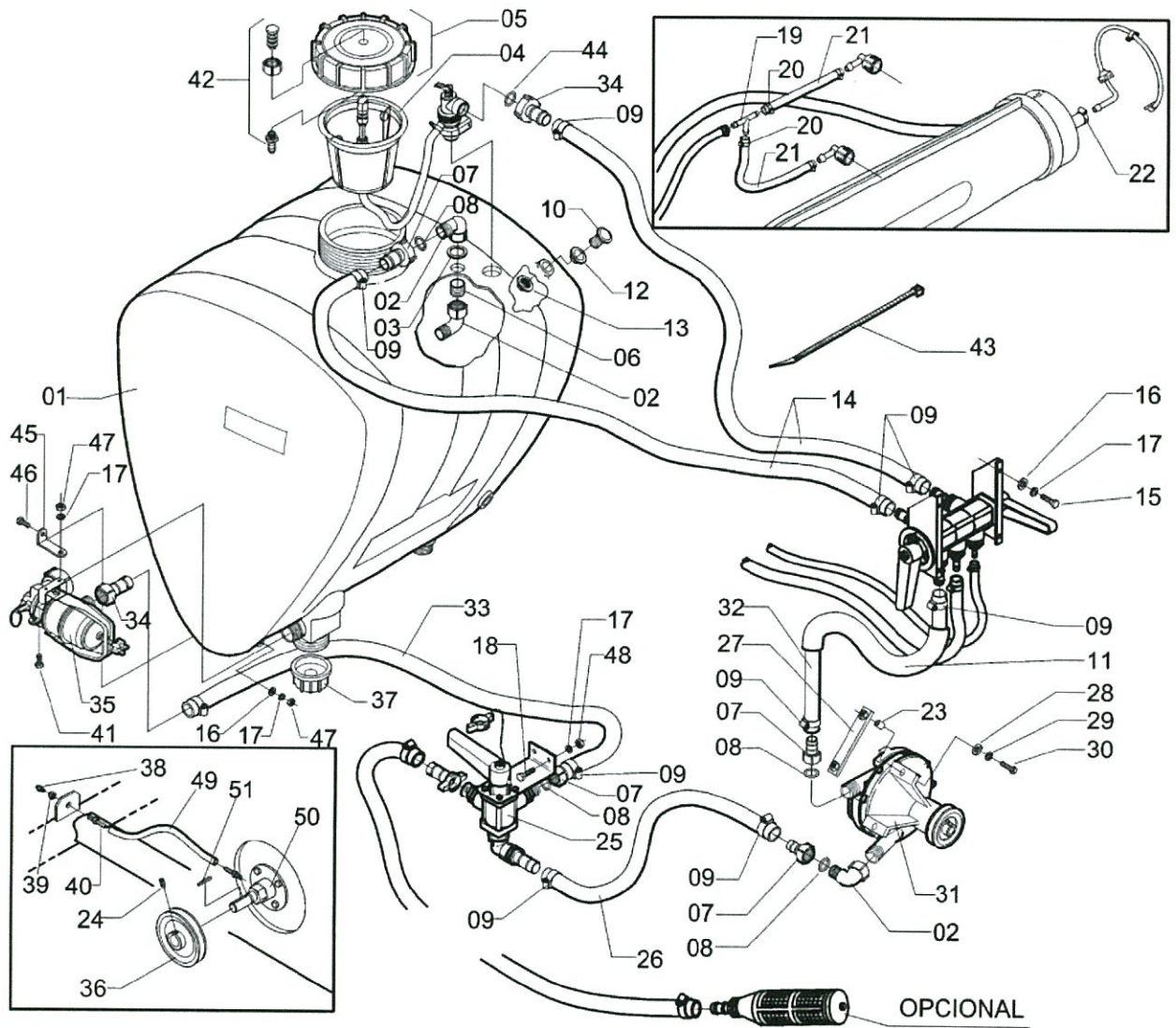
CA-120

SPRAY APPLICATION ASSEMBLY

Continuation

Item	CODE	DESCRIPTION	Qty.	Item	CODE	DESCRIPTION	Qty.
00	821009	Application assembly	1				
01	519363	Single fastener	1				
02	439083	Nozzle filter (50 mesh)	2				
03	539049	Fitting 90° with nut	2				
04	510008	Packing no. 10.5	2				
05	519579	Fitting 0.5 x 120°	2				
06	823682	Lock nut 5/16" - 18 UNC x 28	2				
07	944439	Locking screw 5/16" - 18 UNC x 28	2				
08	912758	Hex. nut 5/16" - 18 UNC	21				
09	908640	Lock washer 5/16"	21				
10	519389	Double fastener	1				
11	823351	Outlet duct	1				
12	912774	Hex. nut 3/8" - 16 UNC	11				
13	908566	Lock washer ø 3/8"	11				
14	822494	Right support	1				
15	822478	Left support	1				
16	913665	Hex. head bolt 3/8" - 16 UNC x 1.1/4"	5				
17	104588	Flexible pin	2				
18	822247	Stop bushing	1				
19	822304	Adjusting screw	1				
20	822288	Cross ø 16 x 8	1				
21	822296	Cross ø 14	1				
22	822221	Spacer bushing	1				
23	912709	Bolt ø 3/8" - 16 UNC x 1"	4				
24	822189	Pillow block ø 15 x 60	2				
25	822387	Lock handle	1				
26	823419	Seat washer	1				
27	822346	Compression spring ø 14.5 x 25	1				
28	820076	Wheel	1				
29	108761	Nut 3/8" - 16 UNC]	1				
30	912667	Bolt 5/16" x 18 UNC x 7/8	9				
31	049379	Sticker: "Jacto" - Cannon Sprayer D	1				
31A	049387	Sticker: "Jacto" - Cannon Sprayer E	1				
32	013433	Flat washer	1				
33	833814	Screw ø 5/16" UNC x 1"	6				
34	822445	Clip plate	2				
35	822270	Outer pillow block	2				
36	822254	Guide bushing	2				
37	822569	Moving duct	1				
38	910463	Grease nipple 1/4" - 28 UNF	1				
39	822239	Stud bolt ø 3/8" x 340	1				
40	910083	Bolt 5/16" x 18 UNC x 1.3/4"	6				
41	214445	Cotter pin 3.20 x 18 mm	1				
42	825307	Allen screw ø 5/16" - 18 UNC x 5/8"	2				
43	822528	Lock body	1				
44	822213	Lock shaft	1				
45	822619	Fixed duct	1				
46	422436	Flat washer 104 x 254 x 19	4				
47	822205	Packing	1				
48	202382	Screw ø 3/16" UNC x 3/4"	6				
49	809152	Lock washer ø 3/16"	6				
50	411884	O-ring ORI - 111	3				
51	822361	Deflector nozzle 30°	3				
52	822585	Nozzle branch (upper)	1				
53	515726	Sticker: ¿Lubricate daily¿	1				
54	413468	Flat washer 68 x 190 x 12.1	1				
55	910117	Lock washer ø 1/4"	1				
56	912741	Nut ø 1/4" - 20 UNC	1				
57	823708	Extension ø 50"	2				
58	209221	Clamp F70-89	2				

CHEMICAL CIRCUIT



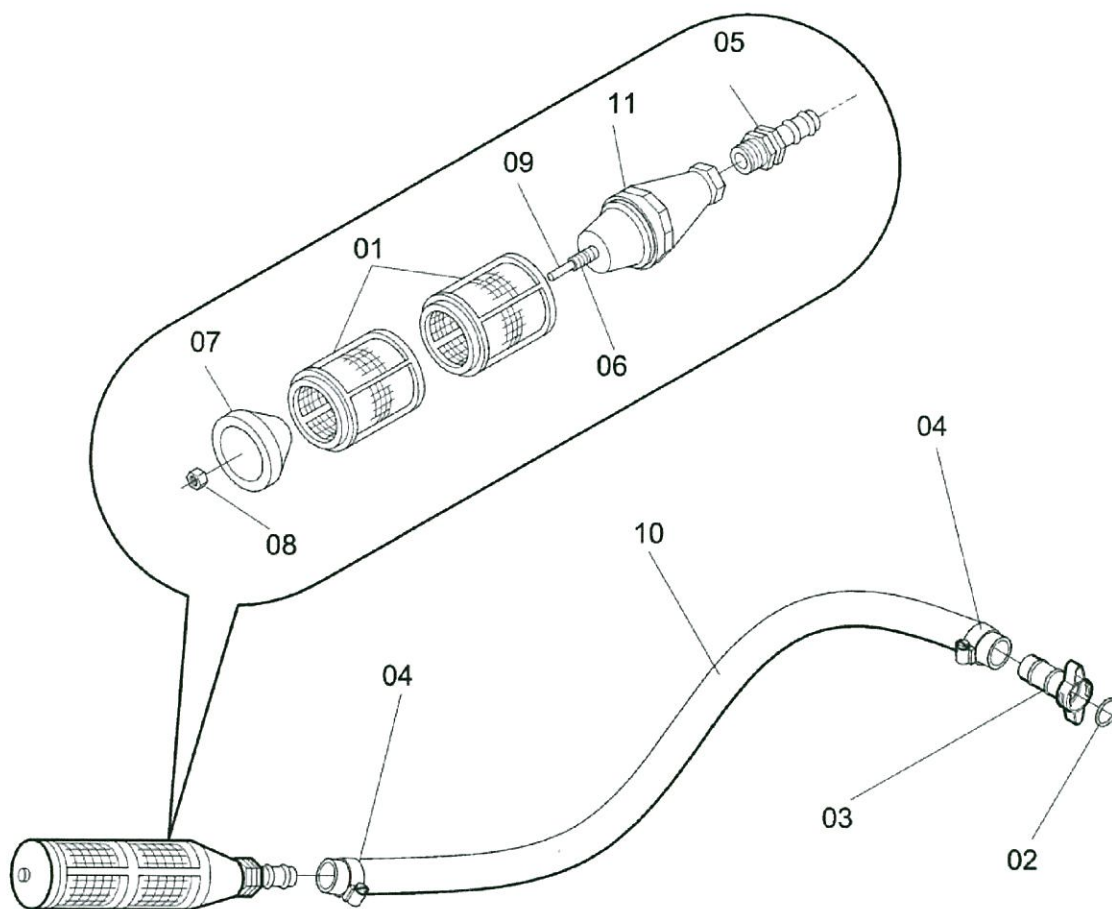
CD-293

CHEMICAL CIRCUIT

Continuation

Item	CODE	DESCRIPTION	Qty.	Item	CODE	DESCRIPTION	Qty.
00	821868	Chemical circuit	1				
01	137208	Tank 400 L	1				
02	902817	Male/female elbow 1" BSP x 90 degrees	3				
03	212472	Packing 45 x 33.5	1				
04	060434	Chemical container rinse nozzle kit	1				
05	037374	Tank lid	1				
06	910000	Nipple 1" BSP	1				
07	111518	Hose fitting 1" with nut 1"	4				
08	402412	Seal washer 31 x 22.5	4				
09	423814	Clamp D22-32 - stainless steel	12				
10	481713	Plug ø 1/2" BSP	1				
11	110965	Hose ø 1.1/4" x 150	1				
12	563510	Seal washer ø 36,3	1				
13	428748	Flanged nut 1/2" BSP -14 F.P.P.	2				
14	903385	Hose 1" x 1300	2				
15	441030	Bolt ø 1/4" - 20 UNC x 5/8"	4				
16	413468	Flat washer 68 x 190 x 12.1	5				
17	910117	Lock washer ø 1/4"	8				
18	007229	Bolt 1/4" x 20 UNC x 3/4"	2				
19	409169	Tee fitting for hose ø 3/8"	1				
20	063370	Clamp D 12-16 - stainless steel	6				
21	821892	Hose Ø 3/8" x 220	2				
22	107664	Clamp D14-22 - stainless steel	2				
23	019208	Guide bushing ø 10,7 x 11,3	2				
24	901363	Allen bolt 1/4" - 20 UNC x 1/2"	1				
25	821751	3-way regulating valve	1				
26	822106	Hose Ø 1" x 200	1				
27	821934	Bolt guide	1				
28	013433	Flat washer	2				
29	908640	Lock washer 5/16"	2				
30	917419	Hex. head bolt 5/16" - 18 UNC x 1"	2				
31	821744	Centrifugal pump BC-1140-Series 3	1				
32	505032	Hose Ø 1" x 2100	1				
33	821884	Return Hose 01" x 460	1				
34	015438	Hose fitting ø 1" with nut	2				
35	613596	Filter FVS 102	1				
36	517763	Pulley 119 - 1A	1				
37	900761	Drain cap ø 67	1				
38	910463	Grease nipple 1/4" - 28 UNF	1				
39	916627	Nut 7/16" - 14 UNC	1				
40	426189	Grease nipple fitting	1				
41	209981	Hex. head bolt 1/4" - 28 UNF x 1/2" - degree 5	1				
42	037366	Breather assembly	1				
43	323584	Hose tie	1				
44	731521	O-ring OR1 - 124	1				
45	203372	Filter bracket	1				
46	073890	Hex. head bolt 1/4" - 28 UNF x 3/4" - degree 5	1				
47	910125	Nut ø 1/4" - 28 UNF	2				
48	912741	Nut ø 1/4" - 20 UNC	2				
49	517920	Hose ø 1/4" x 340	1				
50	821827	Mechanical agitator no. 4	1				
51	405597	Square key 3/16" x 28	1				

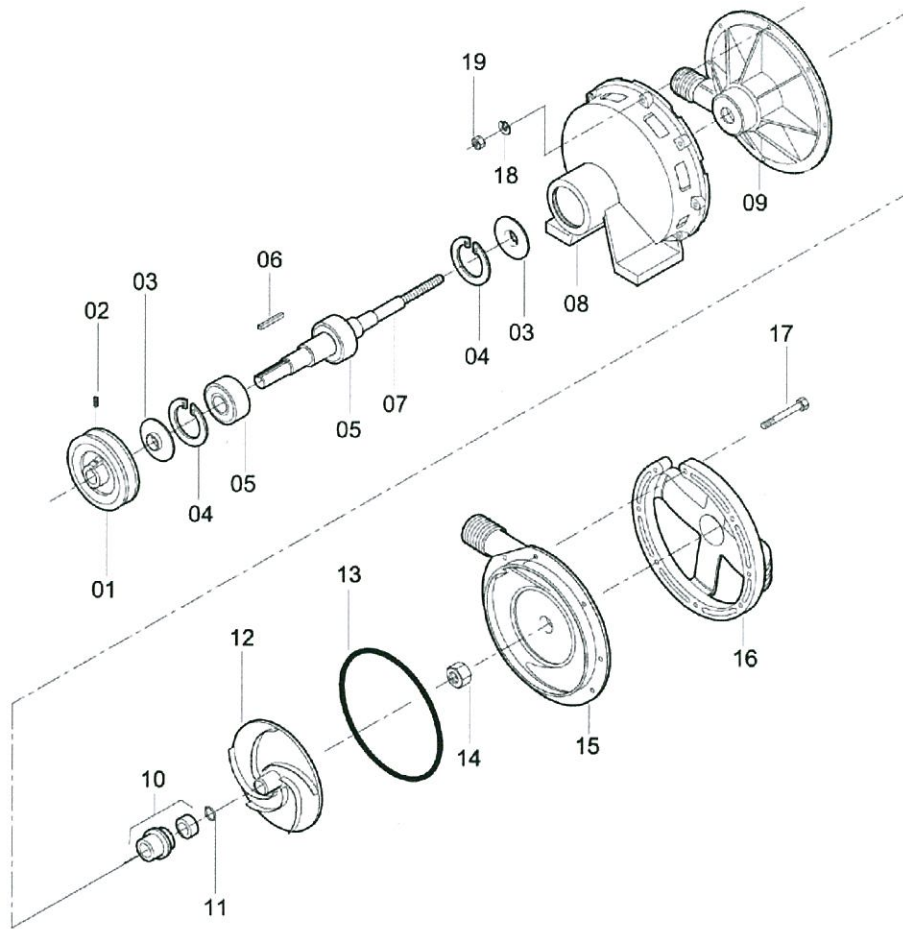
FILLER UNIT



A-14

Item	CODE	DESCRIPTION	Qty.	Item	CODE	DESCRIPTION	Qty.
00	216226	Filling unit assembly	1				
01	012476	Filtering element	2				
02	206185	Packing ring \varnothing 32.8 x 6.00	1				
03	206193	Extension 1"	1				
04	330969	Clamp D25-38 - stainless steel	2				
05	404459	Hose fitting 1" x 1" BSP	1				
06	537332	Element stud bolt	1				
07	537340	Cover - filling hose	1				
08	537357	Hex. nut 7/32" BSW	1				
09	537365	Pin 120	1				
10	813253	Hose \varnothing 25,4 (1") X 5000	1				
11	909986	Foot valve	1				

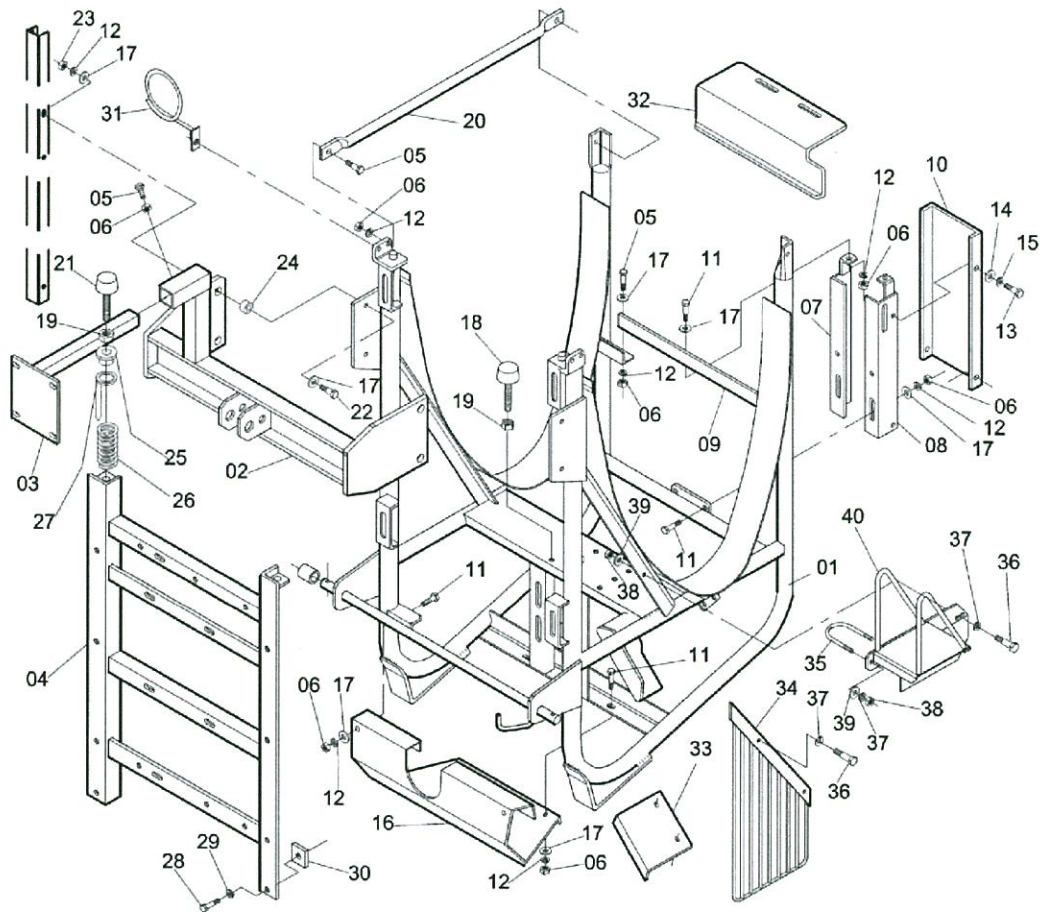
CHEMICAL PUMP



B-16

Item	CODE	DESCRIPTION	Qty.	Item	CODE	DESCRIPTION	Qty.
00	821744	Centrifugal pump BC-1140-Series 3	1				
01	704874	Pulley ø 90-1A	1				
02	901363	Allen bolt 1/4" - 20 UNC x 1/2"	1				
03	707067	Bearing protector	2				
04	901371	Snap ring for hole ø 47	2				
05	901389	Fixed bearing no. 6204 DDU	2				
06	901355	Square key 3/16" x 22	1				
07	815183	Pump shaft	1				
08	820134	Pump support	1				
09	703132	Pump body I	1				
10	918763	Seal and seat	1				
11	901405	O-ring ORI-014	1				
12	901348	Pump rotor	1				
13	901413	O-ring ORI-258	1				
14	815829	Hex. nut ø 3/8" - 16 UNC	1				
15	703140	Pump body II	1				
16	901850	Pump cover	1				
17	901967	Screw 1/4" - 20 UNC x 2"	8				
18	910117	Lock washer ø 1/4"	8				
19	912741	Nut ø 1/4" - 20 UNC	8				

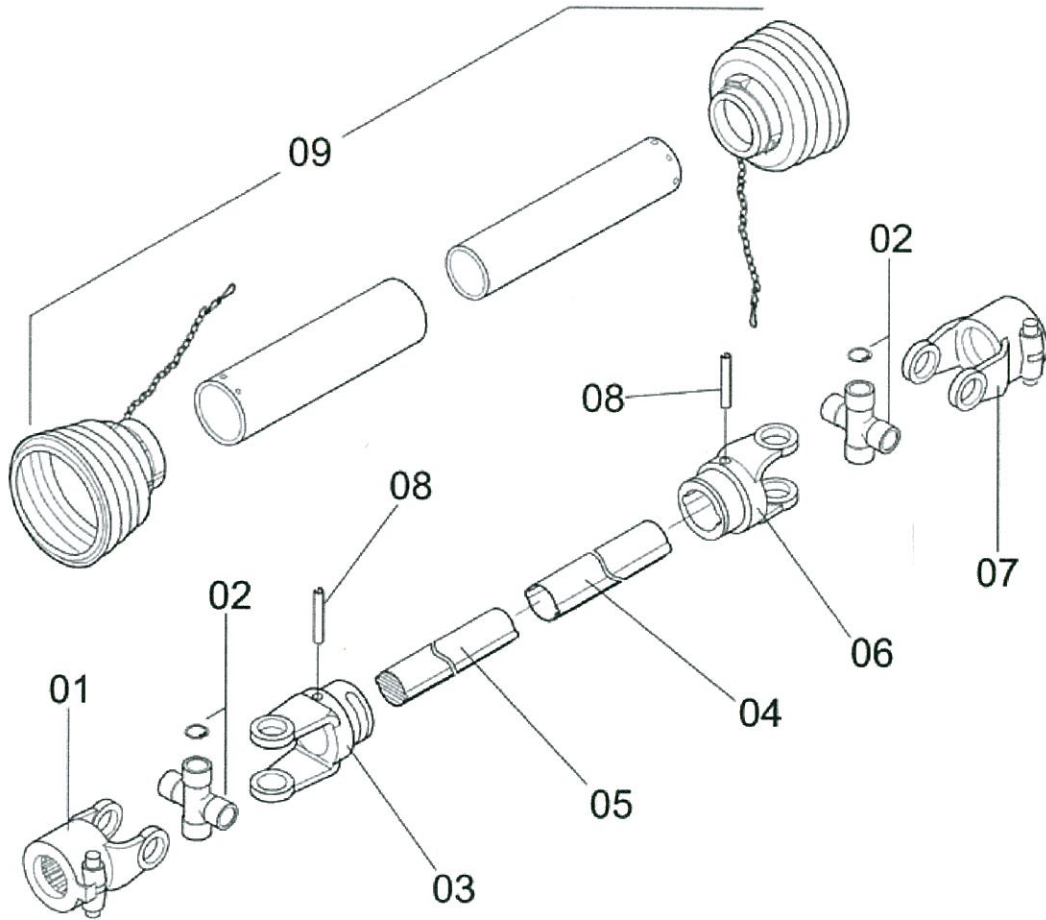
CHASSIS AND COMPLEMENTS



C3P-70

Item	CODE	DESCRIPTION	Qty.	Item	CODE	DESCRIPTION	Qty.
00	465369	Chassi and complements	1	26	821587	Compression spring 35 x LO= 70	2
01	821058	Chassis body	1	27	821595	Spring stop	2
02	821306	Chassis head	1	28	428573	Bolt ϕ 1/2" - 13 UNC x 1.1/4"	4
03	821348	Control valve bracket	1	29	908582	Lock washer 1/2"	4
04	821371	Sliding frame	1	30	821603	Guide ϕ 1/2"	4
05	912709	Bolt ϕ 3/8" - 16 UNC x 1"	8	31	821629	Hose support	1
06	912774	Hex. nut 3/8" - 16 UNC	16	32	018044	Filter protector	1
07	821447	Agitator support (left)	1	33	018036	Centrifugal pump protector	1
08	821470	Agitator support (right)	1	34	017905	Right side guard screen	1
09	821496	Reinforcement crossbeam	1	35	015685	Clip 168	1
10	821504	Guard plate	1	36	448233	Bolt M-8 x 30 x 1,25	4
11	663161	Bolt 3/8" - 16 UNC x 7/8"	8	37	519736	Lock washer M 8	4
12	908566	Lock washer ϕ 3/8"	20	38	810770	Hex. nut M-8 x 1.25	2
13	523977	Bolt 5/16" - 18 UNC x 1/2"	4	39	018358	Flat washer 81 x 200 x 19	2
14	013433	Flat washer	4	40	132191	Tank support - left	1
15	908640	Lock washer 5/16"	4				
16	821512	Pulley protector	1				
17	422436	Flat washer 104 x 254 x 19	15				
18	821520	Tightening screw 1/2" - 13 UNC x 188	1				
19	326280	Nut ϕ 1/2" UNC	3				
20	428201	Angle brace 723	2				
21	941948	Tightening screw ϕ 1/2" - 13 UNC	2				
22	518753	Bolt 3/8" - 16 UNC x 1.1/4"	4				
23	518761	Hex. nut ϕ 3/8"	4				
24	821561	Guide bushing	4				
25	821579	Spring rest pin	2				

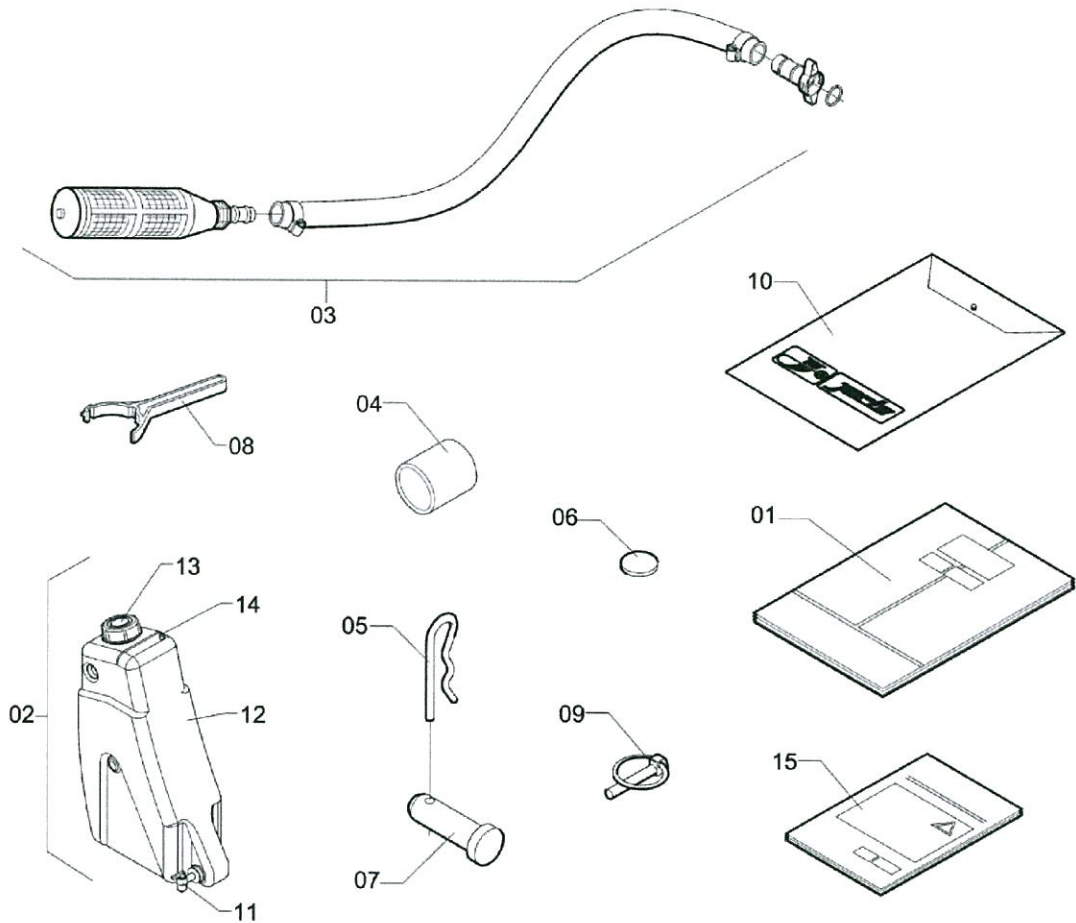
PTO SHAFT Y COMPLEMENTS



CN-10

Item	CODE	DESCRIPTION	Qty.	Item	CODE	DESCRIPTION	Qty.
00	117424	PTO shaft assembly	1				
01	227116	Coupling	1				
02	130351	Cross assembly with lock	2				
03	227199	Male tube coupling end	1				
04	227223	Female tube	1				
05	227215	Male tube	1				
06	669705	Female tube coupling end	1				
07	227124	Coupling end (sprayer end)	1				
08	227173	Flexible pin	2				
09	431635	PTO shaft shield assembly (plastic)	1				

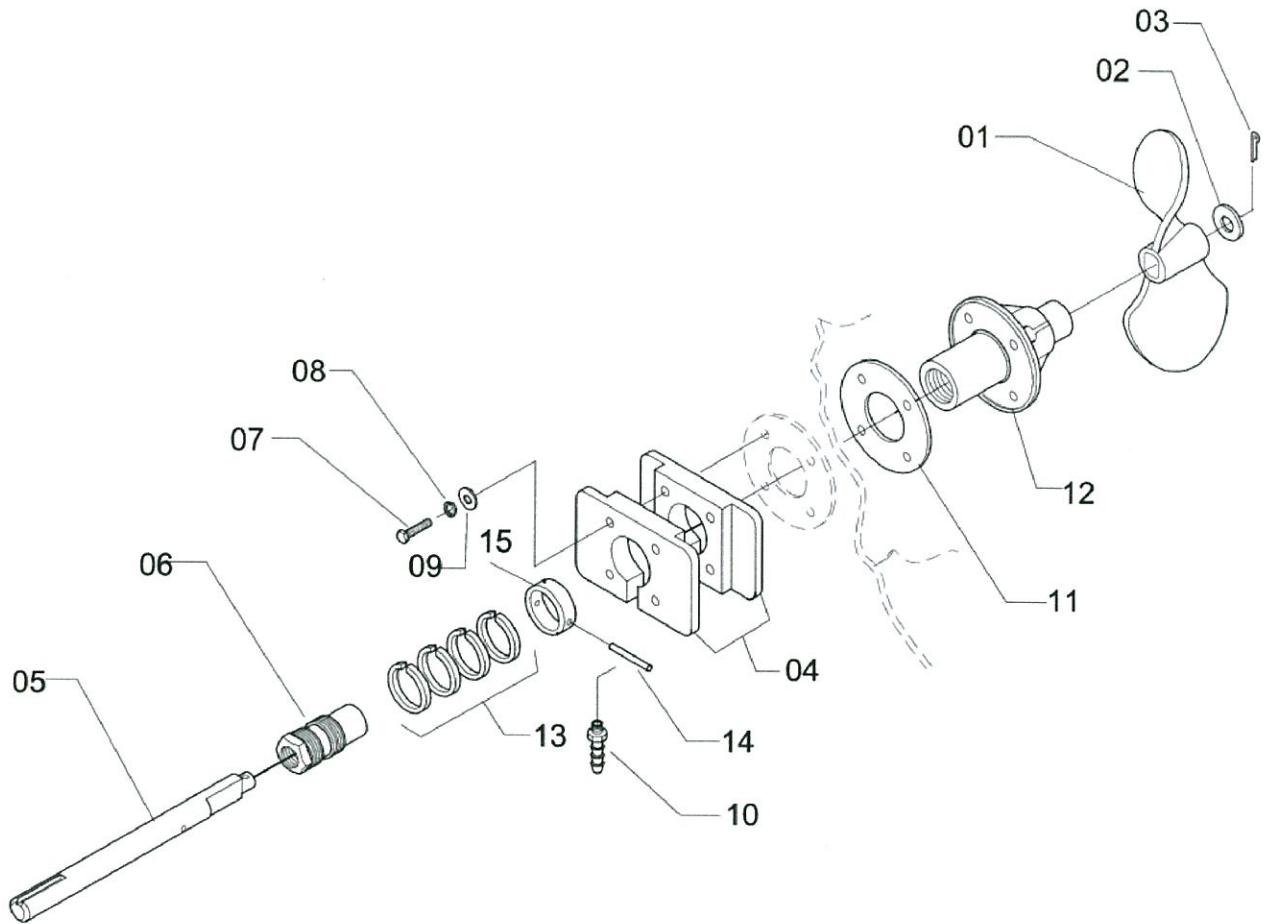
ACCESSORIES BOX



CXA-152

Item	CODE	DESCRIPTION	Qty.	Item	CODE	DESCRIPTION	Qty.
00	118828	Accessories box for J-400	1				
01	118836	Operator's manual	1				
02	133215	15-liter tank- left	1				
03	216226	Filling unit assembly	1				
04	400325	Lower coupling pin sleeve	3				
05	517409	Cotter pin 3/16"	1				
06	519645	Blank disk	3				
07	602912	Coupling pin 19 x 113	1				
08	703694	Key 40-45	1				
09	812636	Universal lock pin 7/16"	2				
10	867127	Plastic folder	1				
11	044180	Plastic tap 23 x 3/8" BSP	1				
12	134064	15-liter tank - left	1				
13	247262	Cover	1				
14	247270	Breather	1				
15	136929	Instructions manual - Container rinse nozzle	1				

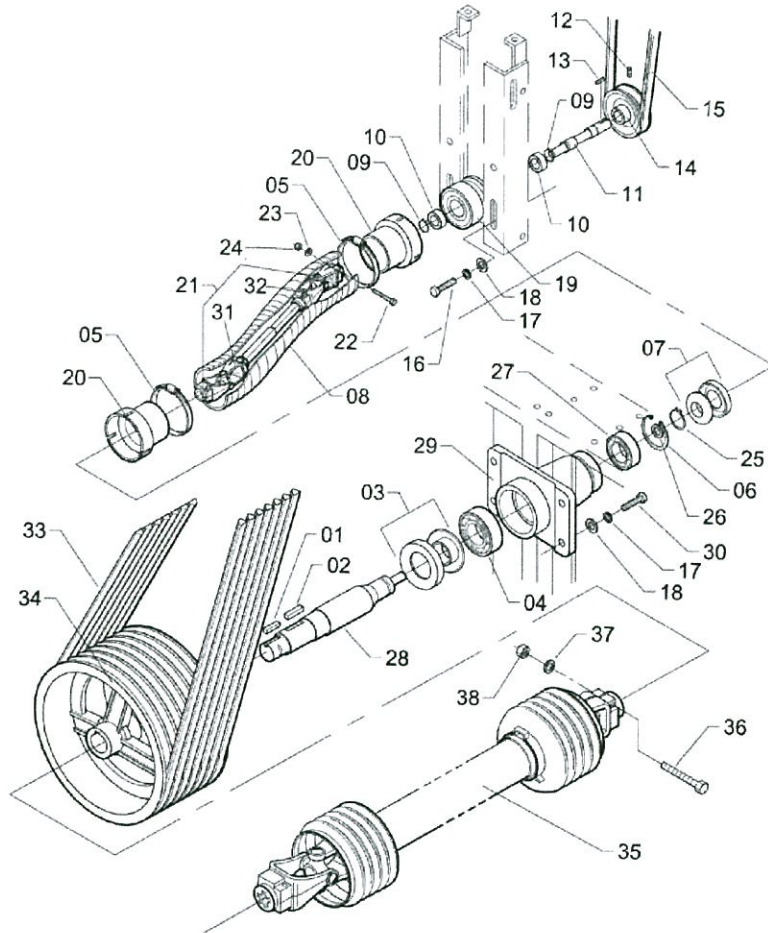
MECHANICAL AGITATOR



MM-4

Item	CODE	DESCRIPTION	Qty.	Item	CODE	DESCRIPTION	Qty.
00	821827	Mechanical agitator no. 4	1				
01	517581	Propeller	1				
02	416578	Flat washer 100 x 190 x 12.4	1				
03	517599	Cotter pin \varnothing 3/32" x 5/8"	1				
04	823815	Agitator guide	2				
05	517607	Shaft	1				
06	517623	Gasket tightener	1				
07	110536	Bolt 1/4" 20 UNC x 1.1/2"	4				
08	910117	Lock washer \varnothing 1/4"	4				
09	712554	Flat washer 68 x 160 x 12.4	4				
10	426205	Male fitting for hose \varnothing 1/4"	1				
11	517649	Rubber seal \varnothing 74	1				
12	517664	Agitator body	1				
13	517672	Gasket 3/16" x 70	1				
14	517680	Pin \varnothing 3/16" x 24	1				
15	517698	Seat bushing \varnothing 1" x 10	1				

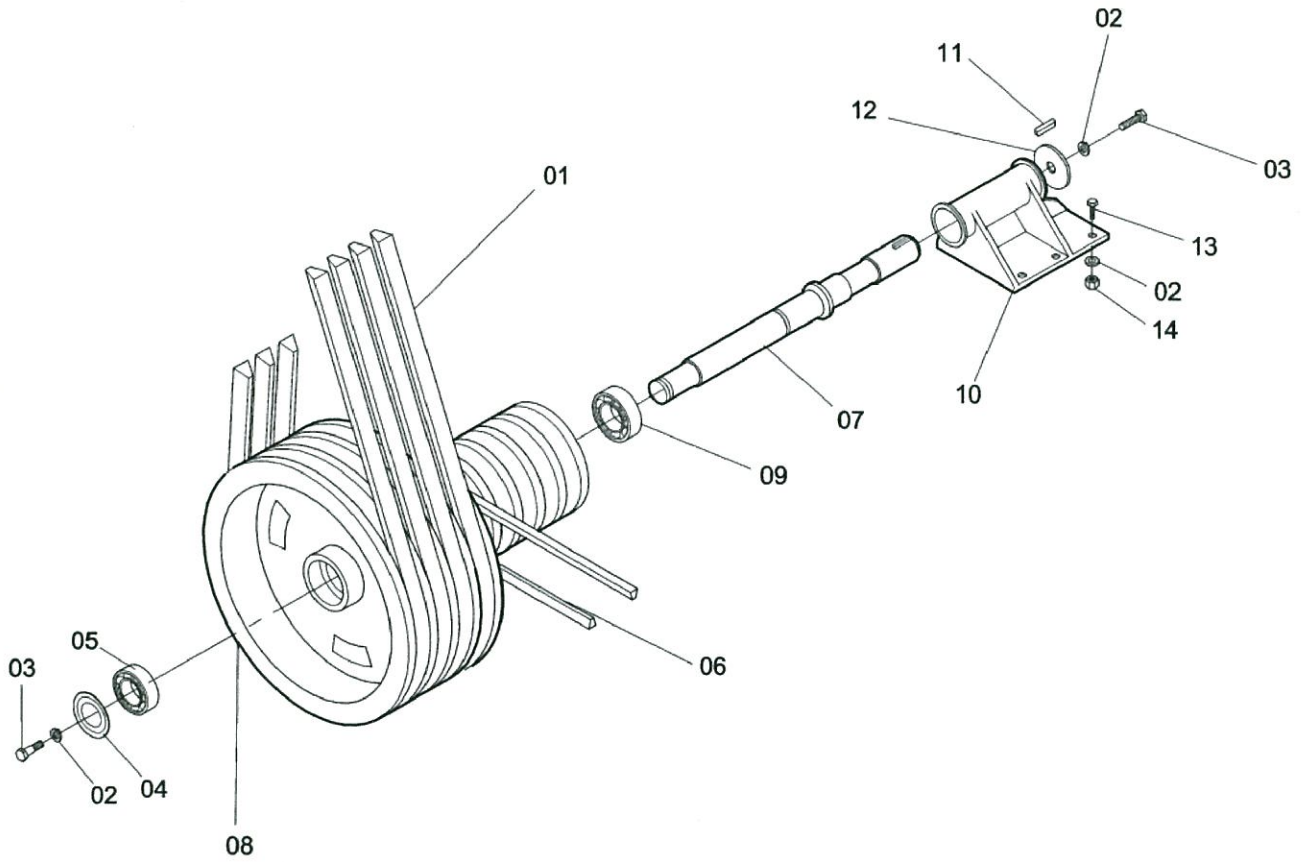
DRIVE TRANSMISSION



TMT-50

Item	CODE	DESCRIPTION	Qty.	Item	CODE	DESCRIPTION	Qty.
00	820803	Drive transmission	1	26	820977	Adjustment ring	1
01	519793	Square key 9.53 (3/8") x 45	1	27	910182	Fixed bearing NSK 6206	1
02	921791	Square key 3/8" x 60	1	28	820985	Drive shaft	1
03	949255	Inner and outer protector	1	29	820035	Pillow bloc 85	1
04	818427	Bearing no. 6209	1	30	327437	Bolt 3/8" - 16 UNC x 1.1/4"	4
05	820845	Clamp D76-95	2	31	971507	Female PTO shaft end	1
06	910174	Snap ring for hole ø 62	1	32	971523	Male PTO shaft end	1
07	111252	Inner and outer protector	1	33	821017	Trapezoid belt A-46	7
08	820852	Protective hose ø 3" x 335	1	34	820092	Pulley ø 297-7A	1
09	910851	Snap ring for shaft 15	2	35	117424	PTO shaft assembly	1
10	328781	Fixed bearing	2	36	626242	Bolt M-12 x 80 x 1.75	1
11	820860	Drive transmission shaft	1	37	209163	Lock washer ø 12	1
12	209742	Allen screw 1/4" - 20 UNC x 3/8"	1	38	427013	Nut ABTN - 1020 thread M12 x 1,50	1
13	520213	Square key 3/8" x 20	1	39	428631	Sticker: Pto shaft instructions	1
14	704874	Pulley ø 90-1A	1				
15	916312	Trapezoid belt A-32	1				
16	912691	Hex. bolt ø 3/8" - 16 UNC	2				
17	908566	Lock washer ø 3/8"	6				
18	416735	Flat washer 100 x 260 x 30	6				
19	820886	Pillow block body 35	1				
20	820894	Coupling ø 74	2				
21	971671	PTO Shaft 324 x 12.95 Assembly	1				
22	721704	Hex. bolt 5/16" UNC 1.1/4"	2				
23	519736	Lock washer M 8	2				
24	912758	Hex. nut 5/16" - 18 UNC	2				
25	910166	Snap ring for shaft	1				

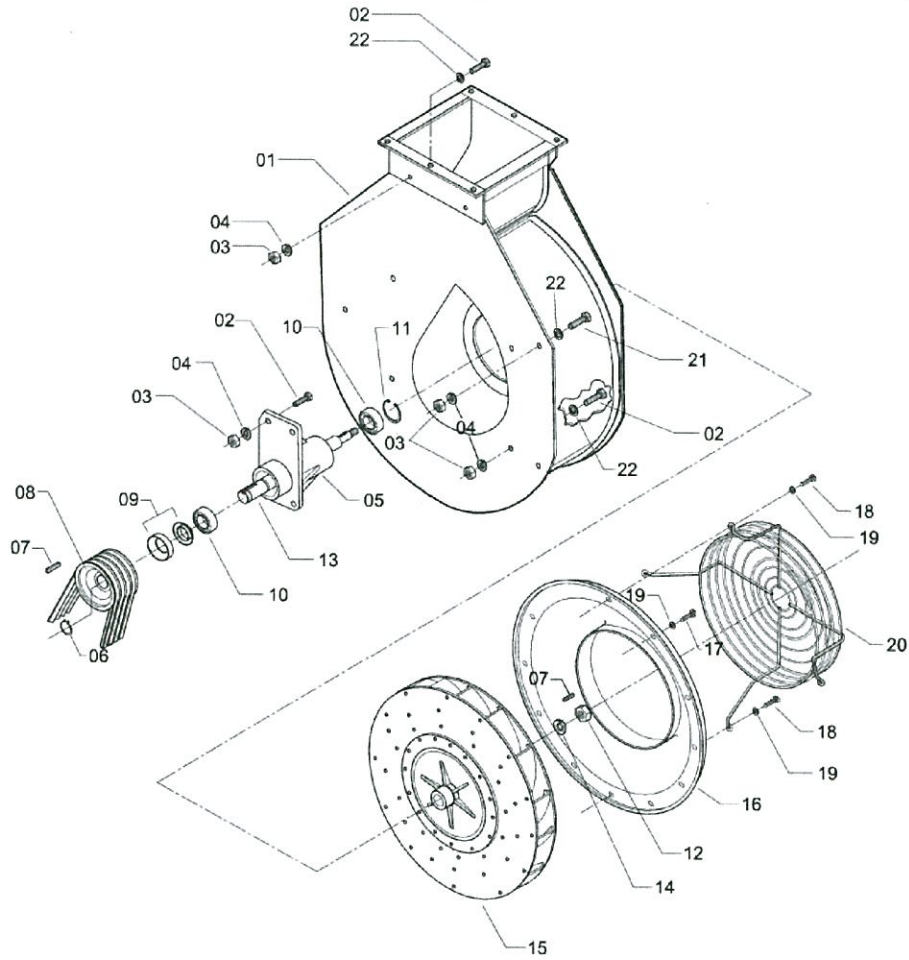
DRIVEN TRANSMISSION



TMV-9

Item	CODE	DESCRIPTION	Qty.	Item	CODE	DESCRIPTION	Qty.
00	821025	Intermediate transmission	1				
01	821033	Trapezoid belt A-43	4				
02	908566	Lock washer \varnothing 3/8"	6				
03	912691	Hex. bolt \varnothing 3/8" - 16 UNC	2				
04	821678	Protective ring \varnothing 62	1				
05	910182	Fixed bearing NSK 6206	1				
06	907576	Trapezoid belt A-42	1				
07	821686	Shaft 252	1				
08	820118	Pulley	1				
09	328062	Bearing no. 6207 SKF	1				
10	820050	Pillow block body 35 with base	1				
11	012237	Round key \varnothing 1/4" x 12	1				
12	507855	Flat washer 103 x 375 x 30	1				
13	913665	Hex. head bolt 3/8" - 16 UNC x 1.1/4"	4				
14	908665	Nut \varnothing 3/8" UNF	4				

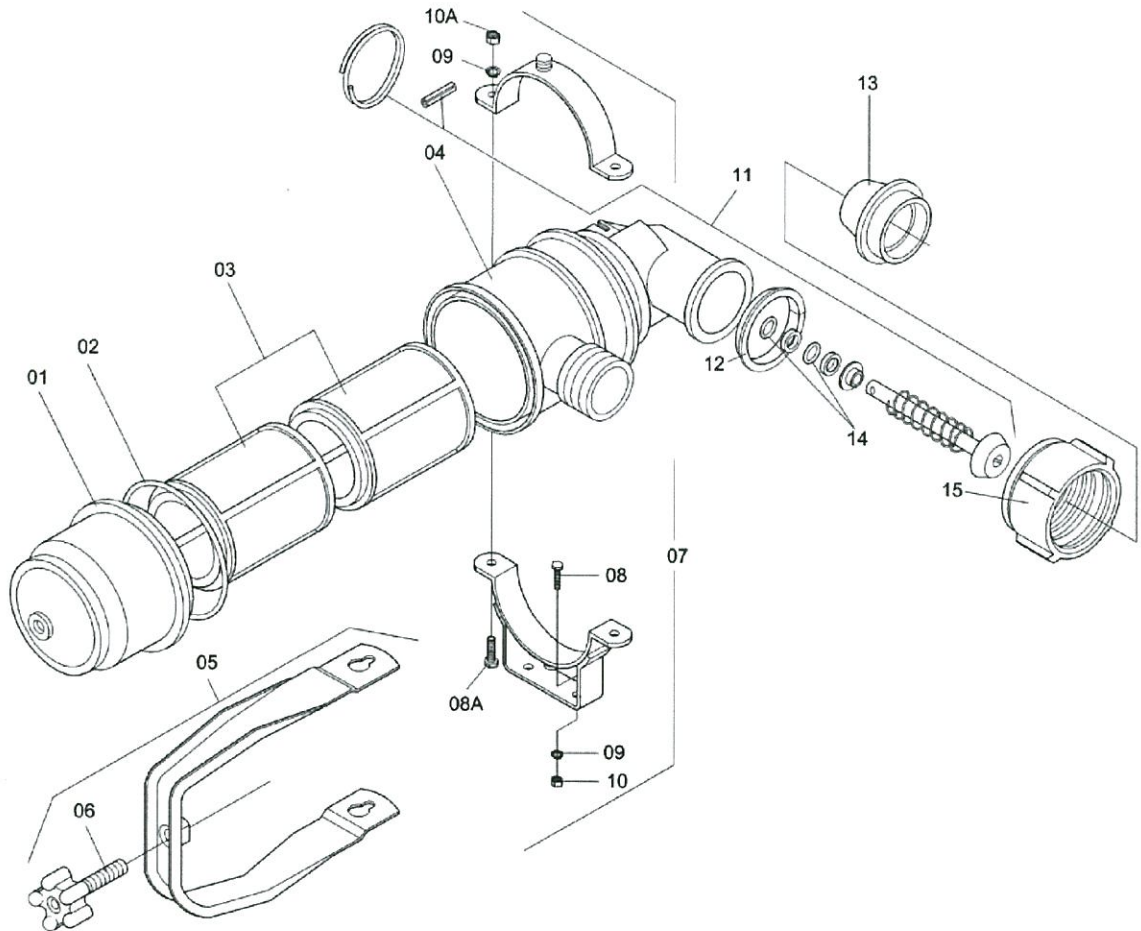
FAN



V-3

Item	CODE	DESCRIPTION	Qty.	Item	CODE	DESCRIPTION	Qty.
00	820571	Fan	1				
01	820514	Fan housing	1				
02	518753	Bolt 3/8" - 16 UNC x 1.1/4"	10				
03	518761	Hex. nut \varnothing 3/8"	13				
04	908566	Lock washer \varnothing 3/8"	13				
05	820324	Pillow block body	1				
06	910166	Snap ring for shaft	1				
07	324624	Square key 5/16" x 4"	2				
08	820159	Pulley \varnothing 114 - 4A	1				
09	429340	Inner and outer protector	1				
10	328062	Bearing no. 6207 SKF	2				
11	429563	Snap ring for hole \varnothing 72	1				
12	007054	Hex. nut \varnothing 1" - 14 UNF	1				
13	820365	Shaft 311	1				
14	910075	Lock washer \varnothing 1"	1				
15	019273	Fan rotor	1				
16	820381	Fan housing cover	1				
17	910745	Self-locking screw \varnothing 1/4" x 3/4"	8				
18	438036	Self-locking screw \varnothing 1/4" x 1"	4				
19	413468	Flat washer 68 x 190 x 12.1	12				
20	017814	Guard screen	1				
21	520130	Screw 3/8" UNC x 1"	3				
22	416735	Flat washer 100 x 260 x 30	9				

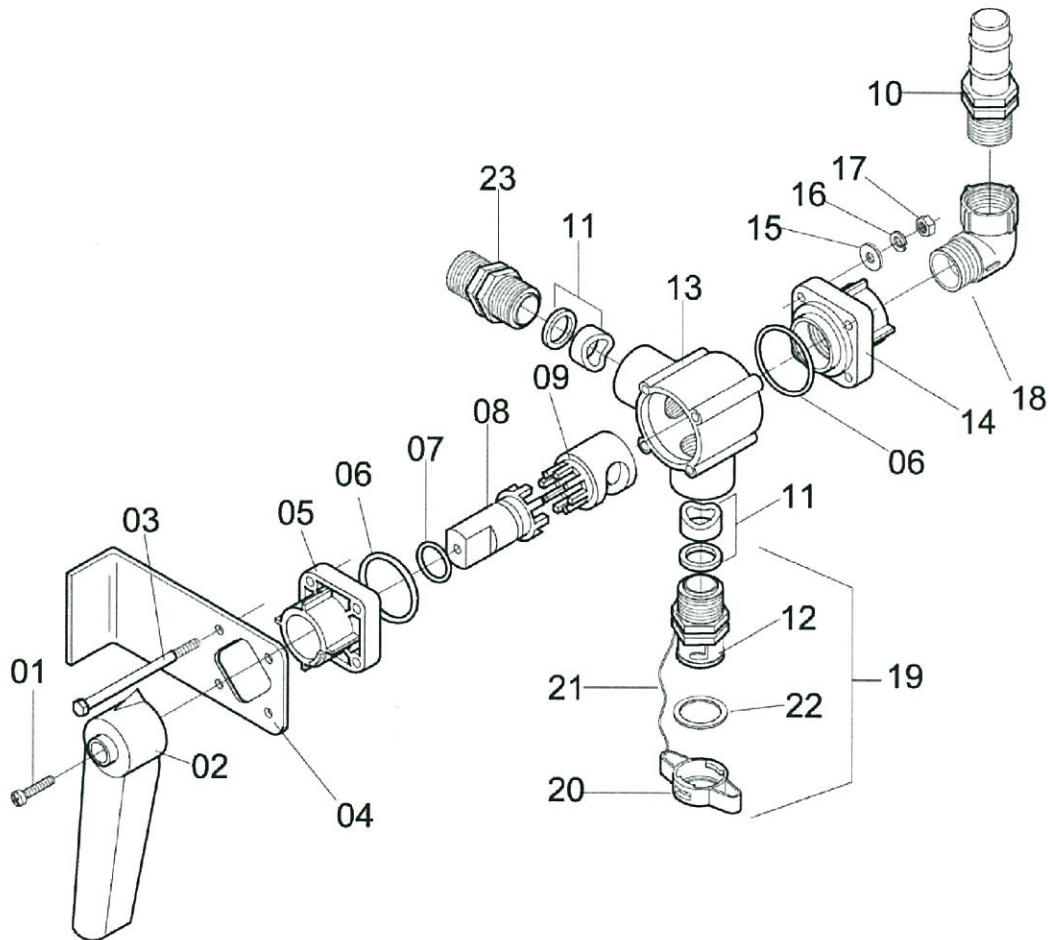
SUCTION FILTER



F-23

Item	CODE	DESCRIPTION	Qty.	Item	CODE	DESCRIPTION	Qty.
00	613596	Filter FVS 102	1				
01	005793	Filter cover	1				
02	012138	O-ring ORI - 241	1				
03	613604	Double filtering element	1				
04	005785	Filter body	1				
05	110866	Handle	1				
06	011734	Knobbed screw	1				
07	107904	Strap with support	1				
08	910489	Bolt \varnothing 1/4" 28 - UNF x 5/8"	2				
08A	007229	Bolt 1/4" x 20 UNC x 3/4"	2				
09	910117	Lock washer \varnothing 1/4"	2				
10	910125	Nut \varnothing 1/4"- 28 UNF	2				
10A	912741	Nut \varnothing 1/4" - 20 UNC	2				
11	005942	Filter valve assembly	1				
12	005918	Locking ring	1				
13	005934	Valve seat	1				
14	416669	O-ring OR1-110	2				
15	005900	Coupling nut	1				

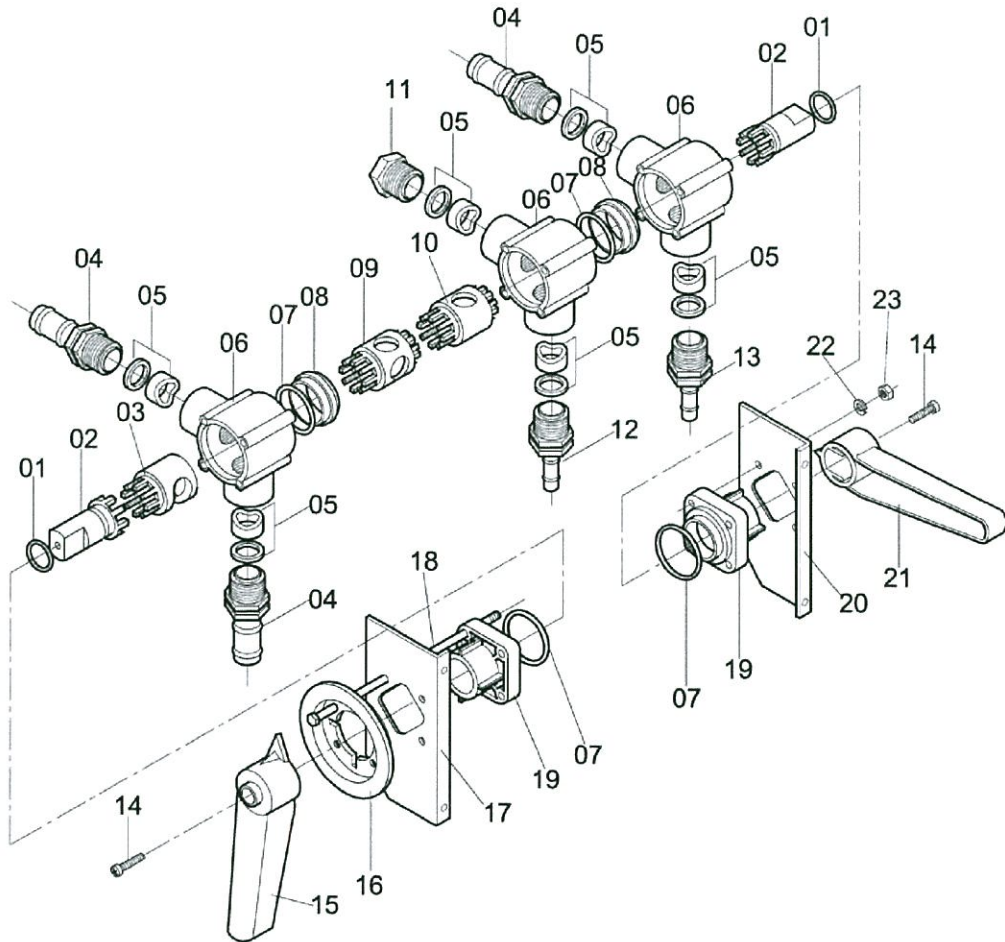
FLOW RATE REGULATING VALVE



CV-20

Item	CODE	DESCRIPTION	Qty.	Item	CODE	DESCRIPTION	Qty.
00	821751	3-way regulating valve	1				
01	211227	Screw	1				
02	212571	Setting lever	1				
03	216218	Bolt ϕ 1/4" - 20 UNC x 3.1/4"	4				
04	821769	Valve bracket VR3-3	1				
05	322594	Valve cover	1				
06	216200	O-ring ORI-132	2				
07	216192	O-ring OR1-213	1				
08	200048	Valve rod	1				
09	200014	Regulator core	1				
10	404459	Hose fitting 1" x 1" BSP	1				
11	211235	Seat and packing ring	2				
12	206177	Coupling body ϕ 1"	1				
13	200121	Core body	1				
14	200170	Valve cover ϕ 1" - BSP	1				
15	413468	Flat washer 68 x 190 x 12.1	4				
16	910117	Lock washer ϕ 1/4"	4				
17	912741	Nut ϕ 1/4" - 20 UNC	4				
18	902817	Male/female elbow 1" BSP x 90 degrees	1				
19	614289	Plug with nylon yarn	1				
20	614297	Plug	1				
21	228916	Nylon yarn ϕ 1.00 x 220	1				
22	206185	Packing ring ϕ 32.8 x 6.00	1				
23	517847	Nipple 1/2" BSP	1				

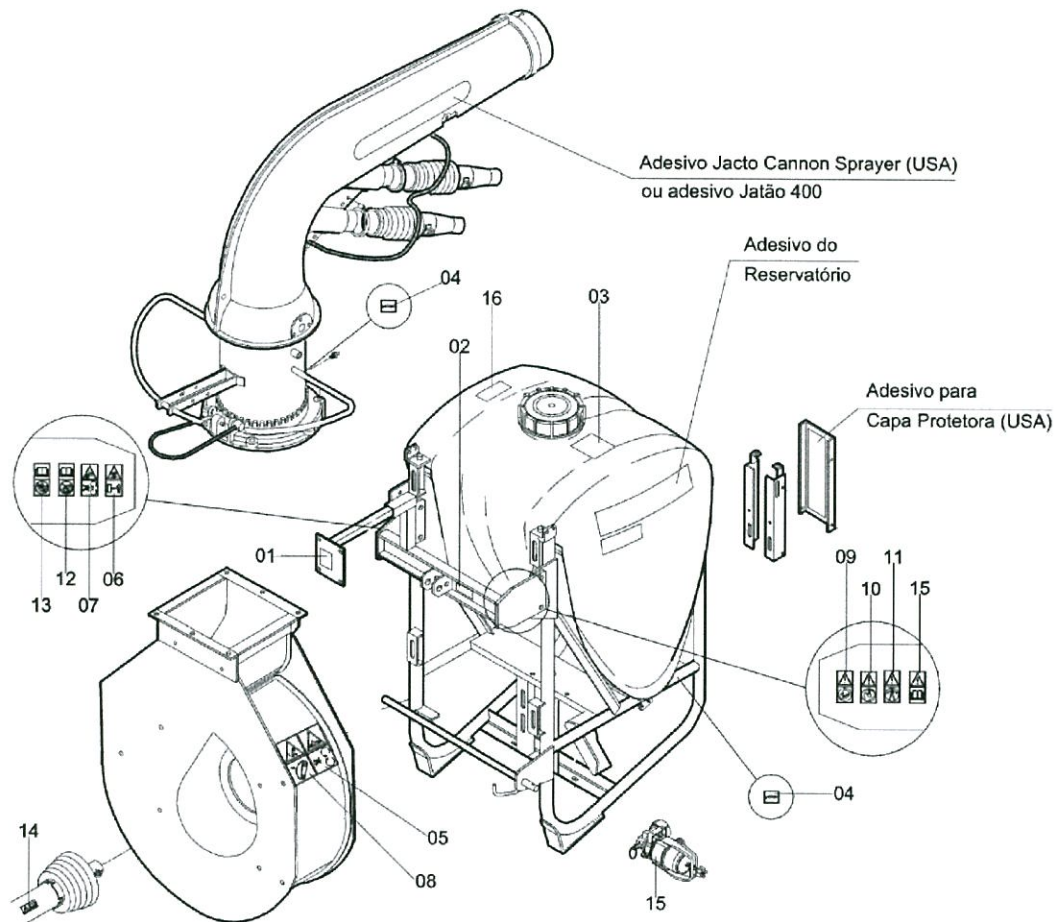
FLOW RATE REGULATING VALVE



CV-23

Item	CODE	DESCRIPTION	Qty.	Item	CODE	DESCRIPTION	Qty.
00	821777	Flow rate regulating valve (for 100 L)	1				
01	216192	O-ring OR1-213	2				
02	200048	Valve rod	2				
03	200014	Regulator core	1				
04	404459	Hose fitting 1" x 1" BSP	1				
05	211235	Seat and packing ring	6				
06	200121	Core body	3				
07	216200	O-ring ORI-132	4				
08	200022	Valve guide	2				
09	325035	Core II	1				
10	200030	Core I	1				
11	325019	Plug 1" BSP	1				
12	212175	Fitting \varnothing 1/2" x 1" BSP	1				
13	517797	Fitting \varnothing 3/8" x 1" BSP	1				
14	211227	Screw	2				
15	200204	Setting lever	1				
16	212134	Indicator	1				
17	821785	Left valve base	1				
18	212159	Bolt \varnothing 1/4" - 20 UNC x 178	4				
19	322594	Valve cover	2				
20	821801	Right valve base	1				
21	212571	Setting lever	1				
22	910117	Lock washer \varnothing 1/4"	4				
23	912741	Nut \varnothing 1/4" - 20 UNC	4				

Sticker: "JATÃO 400"



ADS-12

Item	CODE	DESCRIPTION	Qty.	Item	CODE	DESCRIPTION	Qty.
00	885053	Layout stickers for "Jatão 400"	1				
01	013169	Sticker: "OK - TESTE FINAL" OK - FINAL	1				
02	046862	Identification plate drawing	1				
03	169128	Sticker: "Chemical container rinse nozzle"	1				
04	276220	Sticker: "Lubrication Point Indication"	2				
05	379008	Sticker: "Danger - PTO Shaft"	1				
06	379040	Sticker: "Attention - Keep at a Distance"	1				
07	379057	Sticker: "Keep at a Distance - Fan"	1				
08	379065	Sticker: "Keep all shields in place"	1				
09	379115	Sticker: "Obligatory Use of Respirator"	1				
10	379123	Sticker: "Obligatory Use of Hearing Protection"	1				
11	379131	Sticker: "Obligatory Use of Protective Clothing"	1				
12	379214	Sticker: "Maximum Speed 30 KM/H"	1				
13	379222	Sticker: "This Machine Is Not Allowed In Highways"	1				
14	379230	Sticker: "Read Operator's Manual - Horizontal"	1				
15	379248	Sticker: "Read Operator's Manual - Vertical"	2				
16	380014	Sticker: "Attention: Do Not Get Into The Tank"	1				