

PARTS LIST

MS078D-T

CONTENTS

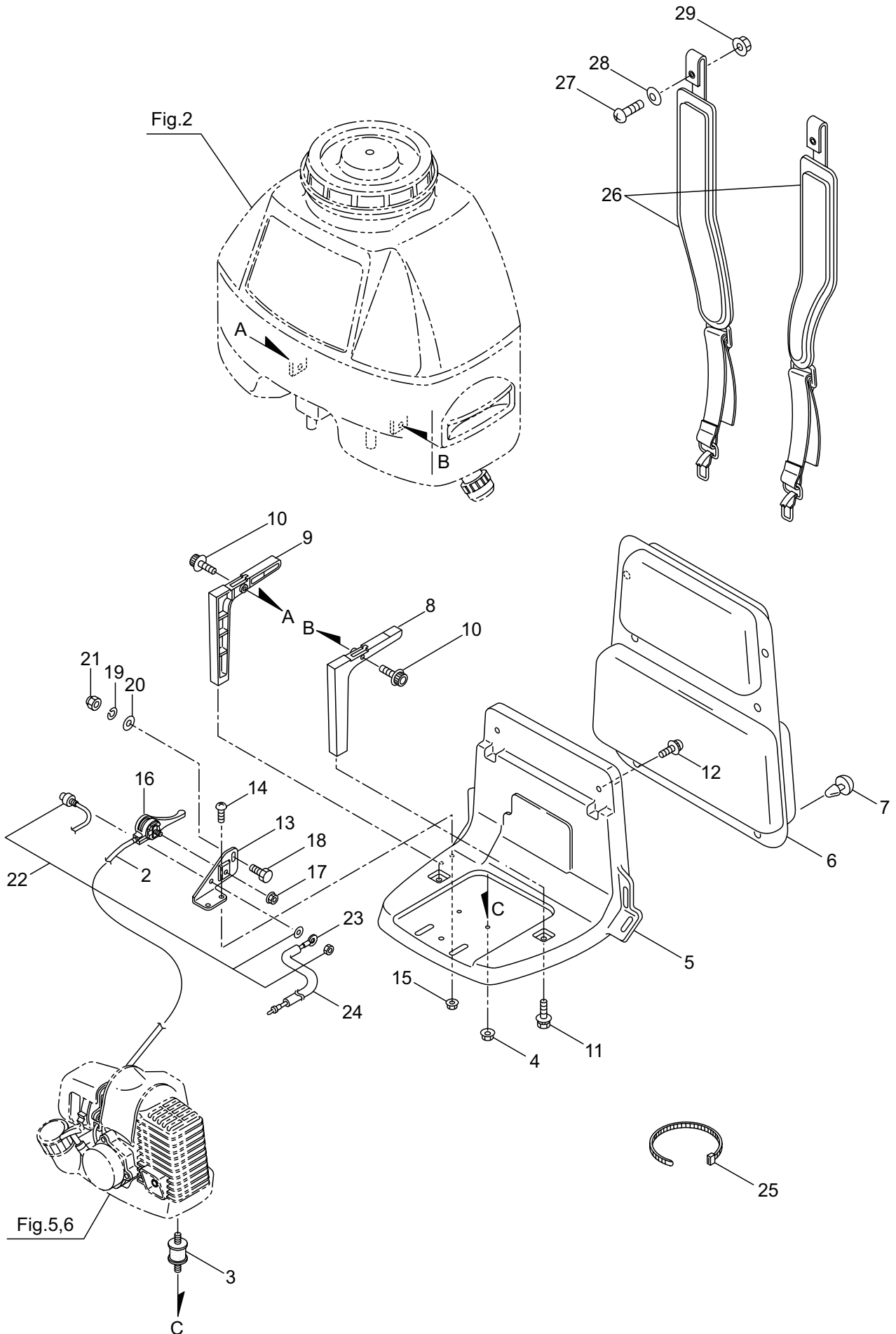
| | |
|-------------------------------|---------|
| 1. MAIN BODY..... | 1 ~ 2 |
| 2. CHEMICAL TANK..... | 3 ~ 4 |
| 3. POWER SPRAYER..... | 5 ~ 8 |
| 4. REDUCTION GEAR..... | 9 ~ 10 |
| 5. ENGINE..... | 11 ~ 14 |
| 6. CARBURETOR, FUEL TANK..... | 15 ~ 16 |
| 7. ACCESSORIES..... | 17 ~ 18 |

2015.04.



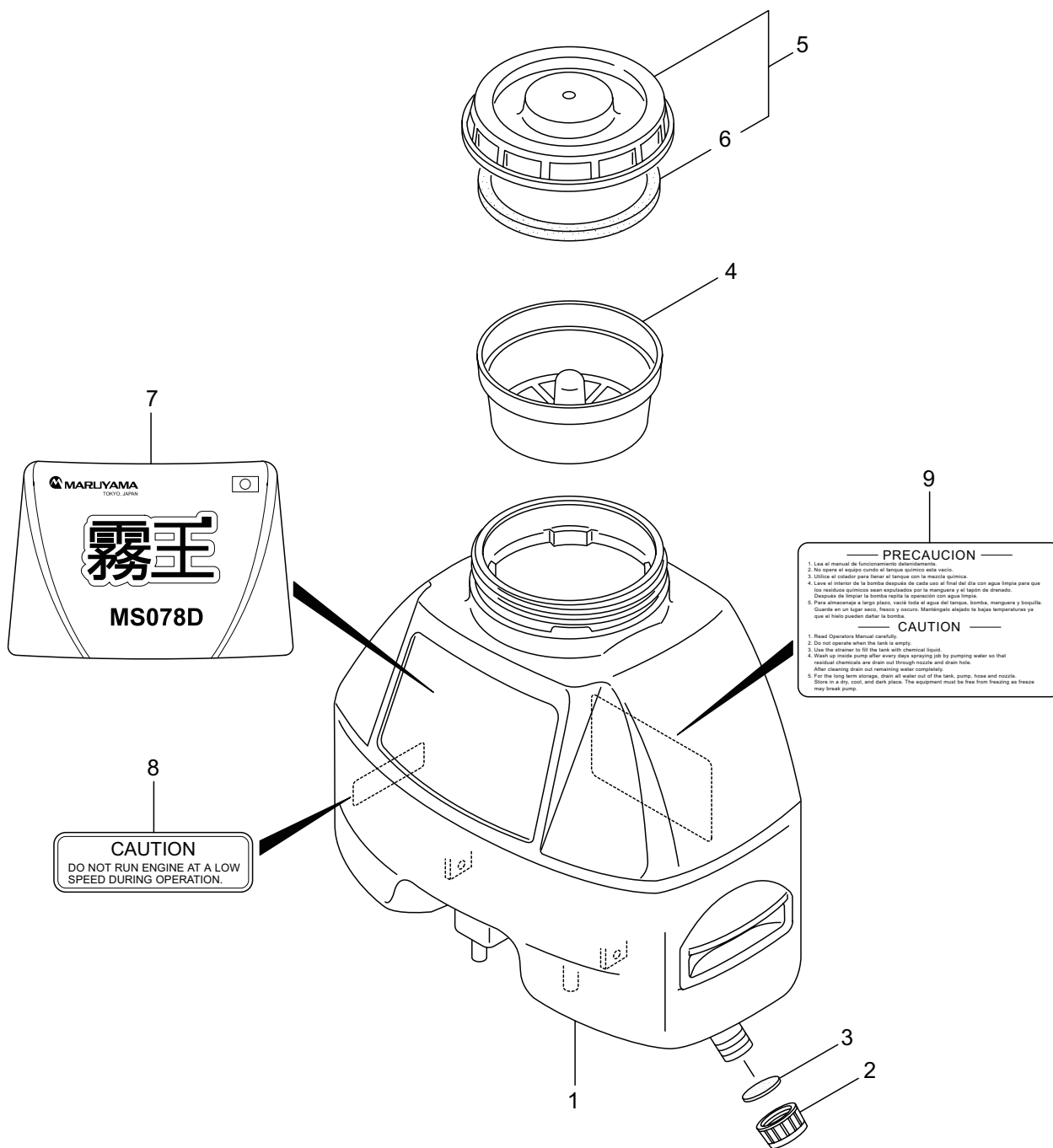
P/N 524008

1. MS078D-T
MAIN BODY



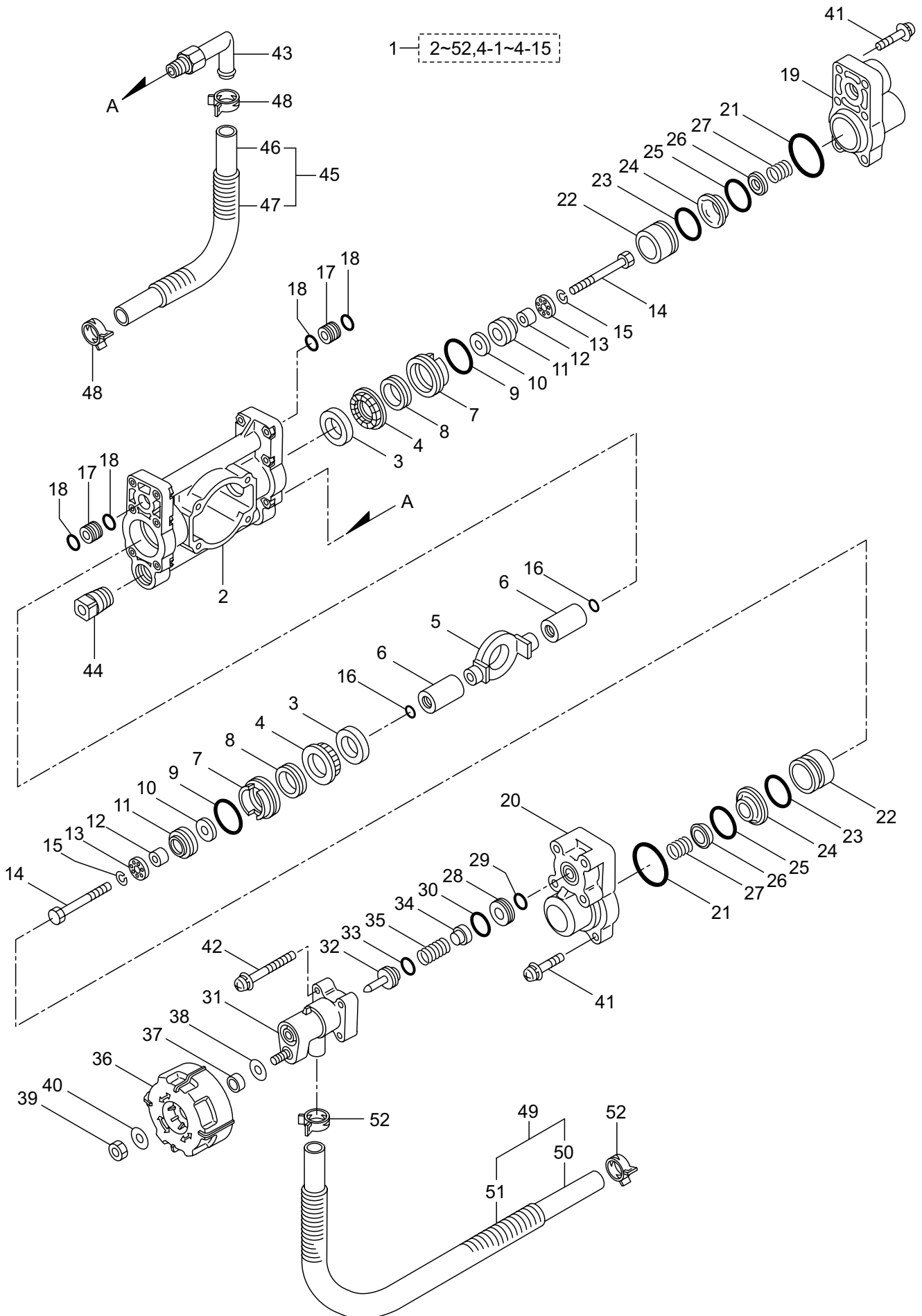
| Ref. No. | Parts No. | Parts Name | Q'ty | Remarks |
|----------|-----------|----------------|------|---------------|
| 1-1 | 718804 | MS078D-T | 1 | |
| 1-2 | 272214 | Throttle Cable | 1 | |
| 1-3 | 109246 | Buffer | 3 | 25-M6X14X8.5 |
| 1-4 | 127228 | Nut | 3 | M6 |
| 1-5 | 563141 | Base | 1 | |
| 1-6 | 131025 | Cushion Pad | 1 | |
| 1-7 | 100749 | Fastener | 6 | #7 |
| 1-8 | 118002 | Stay(R) | 1 | |
| 1-9 | 118004 | Stay(L) | 1 | |
| 1-10 | 123952 | Cap Screw | 2 | M6X14 |
| 1-11 | 127233 | Bolt | 2 | M6X16 |
| 1-12 | 127238 | Screw | 2 | M6X13 |
| 1-13 | 566143 | Stay | 1 | |
| 1-14 | 081415 | Screw | 2 | M5X0.8X16 |
| 1-15 | 127226 | Nut | 2 | M5 |
| 1-16 | 115148 | Throttle Lever | 1 | |
| 1-17 | 127226 | Nut | 1 | M5 |
| 1-18 | 127220 | Bolt | 1 | M6X12 |
| 1-19 | 126568 | Spring Washer | 1 | M6 |
| 1-20 | 126572 | Washer | 2 | M6 |
| 1-21 | 089750 | Nut | 1 | M6 |
| 1-22 | 114895 | Stop Button | 1 | AV0.5X320L |
| 1-23 | 114896 | Earth Cord | 1 | AV0.5X320L M8 |
| 1-24 | 114901 | Vinyl Hose | 1 | 8X9X220 |
| 1-25 | 685048 | Band | 1 | CV-150B |
| 1-26 | 566152 | Knapsack Band | 1 | |
| 1-27 | 127221 | Screw | 2 | M6X16 |
| 1-28 | 127224 | Washer | 2 | 6X23XT1.6 |
| 1-29 | 127237 | Nut | 2 | M6 |

2. MS078D-T CHEMICAL TANK



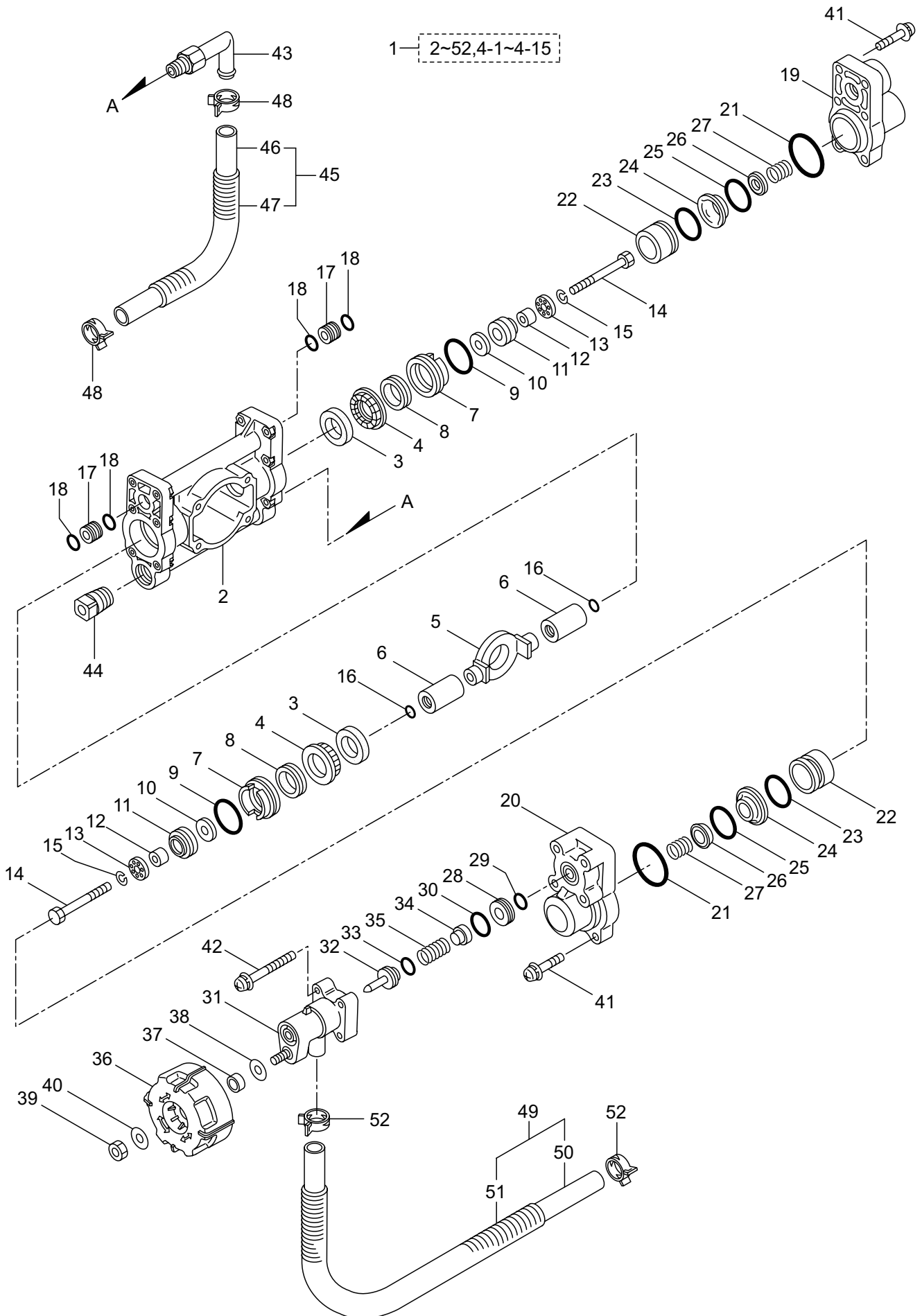
| Ref. No. | Parts No. | Parts Name | Q'ty | Remarks |
|----------|-----------|--------------------|------|-------------|
| 2-1 | 566117 | Chemical Tank | 1 | |
| 2-2 | 118147 | Cap | 1 | |
| 2-3 | 029299 | Packing | 1 | 36XT3.0 |
| 2-4 | 131153 | Strainer | 1 | |
| 2-5 | 118145 | Cap, Chemical Tank | 1 | Incl.6 |
| 2-6 | 022362 | Packing | 1 | 150X170XT10 |
| 2-7 | 563120 | Label | 1 | MS078D |
| 2-8 | 566106 | Label | 1 | CAUTION |
| 2-9 | 563054 | Label | 1 | |

3. MS078D-T
POWER SPRAYER



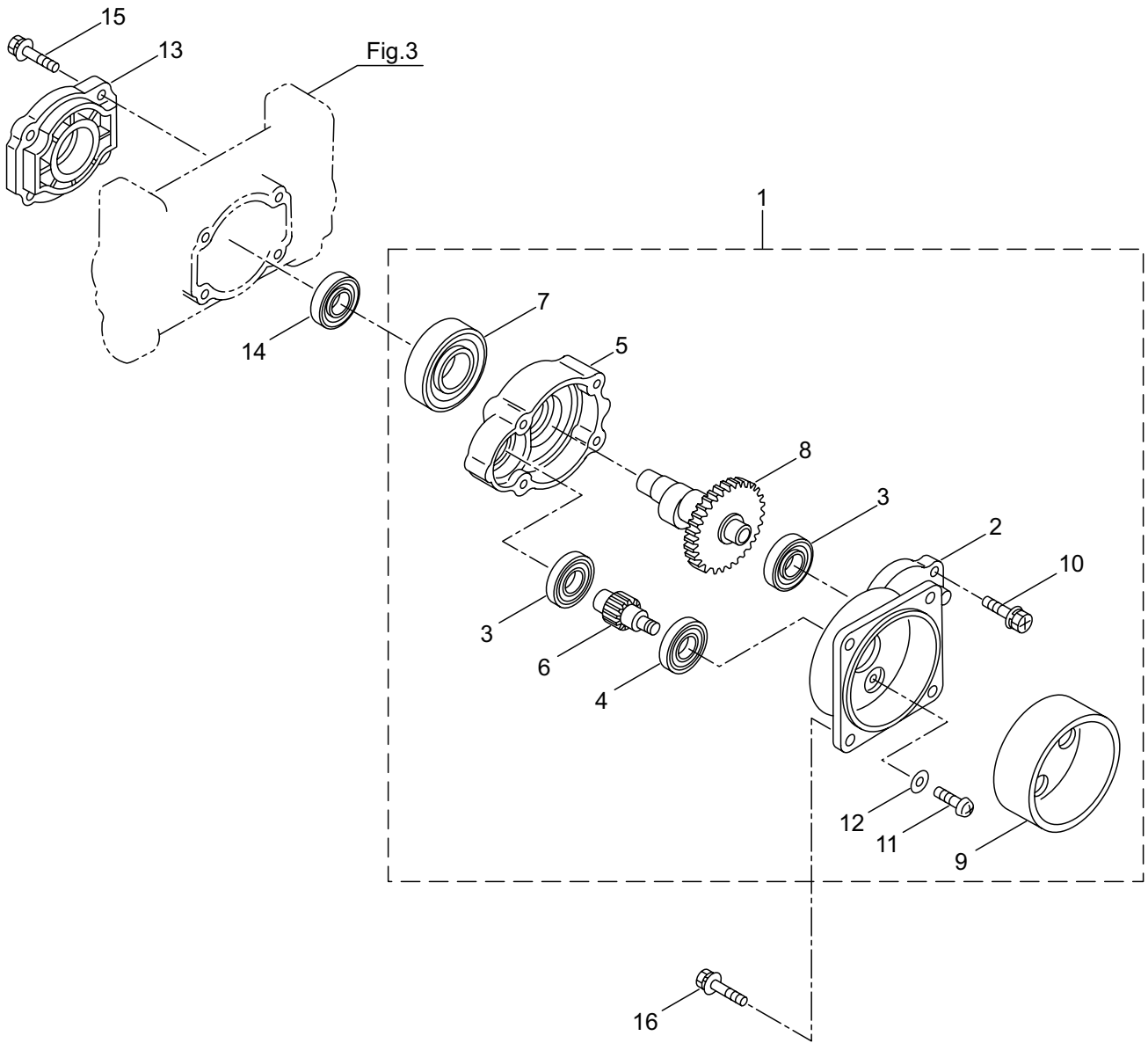
| Ref. No. | Parts No. | Parts Name | Q'ty | Remarks |
|----------|-----------|-----------------------|------|--------------------|
| 3-1 | 275507 | Pump Ass'y | 1 | Incl.2~52,4-1~4-15 |
| 3-2 | 121831 | Crankcase | 1 | |
| 3-3 | 102683 | Oil Seal | 2 | G16244 |
| 3-4 | 106190 | Collar | 2 | |
| 3-5 | 121179 | Connecting Rod | 1 | |
| 3-6 | 118055 | Sleeve | 2 | 15X28.5 |
| 3-7 | 102358 | Seal Retainer | 2 | |
| 3-8 | 112252 | Packing | 2 | |
| 3-9 | 013977 | O-Ring | 2 | S26 |
| 3-10 | 043426 | Suction Valve Seat | 2 | 5X17X2.8 |
| 3-11 | 100441 | Piston Packing | 2 | 20.5 |
| 3-12 | 023357 | Suction Valve Collar | 2 | 5X8X10 |
| 3-13 | 022023 | Suction Valve Stopper | 2 | 5X16X3 |
| 3-14 | 118357 | Bolt | 2 | M5X45X22 |
| 3-15 | 015848 | Spring Washer | 2 | M5 |
| 3-16 | 021549 | O-Ring | 2 | P5 |
| 3-17 | 100554 | Spacer Pipe | 2 | 6X12X10 |
| 3-18 | 014175 | O-Ring | 4 | P9 |
| 3-19 | 103128 | Cylinder Head (A) | 1 | |
| 3-20 | 102634 | Cylinder Head (B) | 1 | |
| 3-21 | 013983 | O-Ring | 2 | S31.5 |
| 3-22 | 103130 | Cylinder Pipe | 2 | 20X26X18 |
| 3-23 | 023172 | O-Ring | 2 | P22 |
| 3-24 | 118018 | Valve Seat | 2 | |
| 3-25 | 103575 | O-Ring | 2 | 23X1.5 |
| 3-26 | 043723 | Discharge Valve | 2 | 16X1.5 |
| 3-27 | 566164 | Spring | 2 | |
| 3-28 | 103746 | Valve Seat | 1 | |
| 3-29 | 011343 | O-Ring | 1 | P10A |
| 3-30 | 011346 | O-Ring | 1 | P14 |
| 3-31 | 103132 | Spring Case | 1 | |
| 3-32 | 121618 | Spring Retainer | 1 | |
| 3-33 | 011682 | O-Ring | 1 | P10 |
| 3-34 | 121619 | Discharge Valve | 1 | |
| 3-35 | 566163 | Spring | 1 | |
| 3-36 | 107198 | Handle | 1 | |
| 3-37 | 127225 | Collar | 1 | 8X10X5.3 |
| 3-38 | 127217 | Washer | 5 | 8.5X14XT0.5 |
| 3-39 | 126521 | Nut | 1 | M8 |
| 3-40 | 127216 | Washer | 1 | M8 |
| 3-41 | 121956 | Screw | 8 | M5X32 |
| 3-42 | 816036 | Screw | 4 | M5X60 |
| 3-43 | 102661 | Elbow | 1 | |
| 3-44 | 108460 | Plug | 1 | PT3/8 |
| 3-45 | 118358 | Hose Ass'y | 1 | Incl.46,47 |

3. MS078D-T
POWER SPRAYER



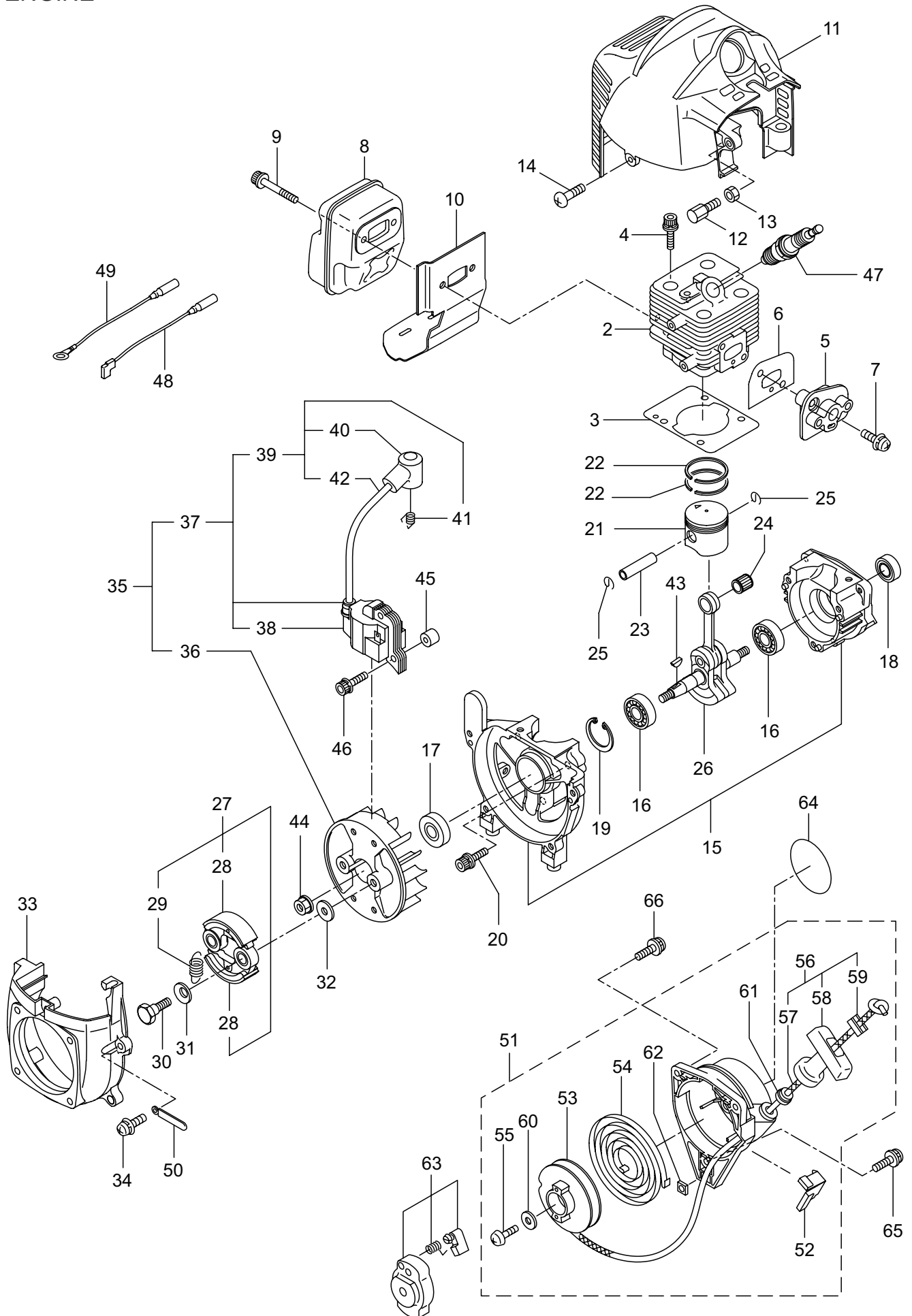
| Ref. No. | Parts No. | Parts Name | Q'ty | Remarks |
|----------|-----------|------------|------|----------------|
| 3-46 | 118359 | Hose | 1 | 10X15X390L |
| 3-47 | 118337 | Tube | 1 | 15.2X19.5X180L |
| 3-48 | 566167 | Hose Band | 2 | |
| 3-49 | 118360 | Hose Ass'y | 1 | Incl.50,51 |
| 3-50 | 118361 | Hose | 1 | 10X15X350L |
| 3-51 | 118337 | Tube | 1 | 15.2X19.5X180L |
| 3-52 | 566167 | Hose Band | 2 | |

4. MS078D-T
REDUCTION GEAR



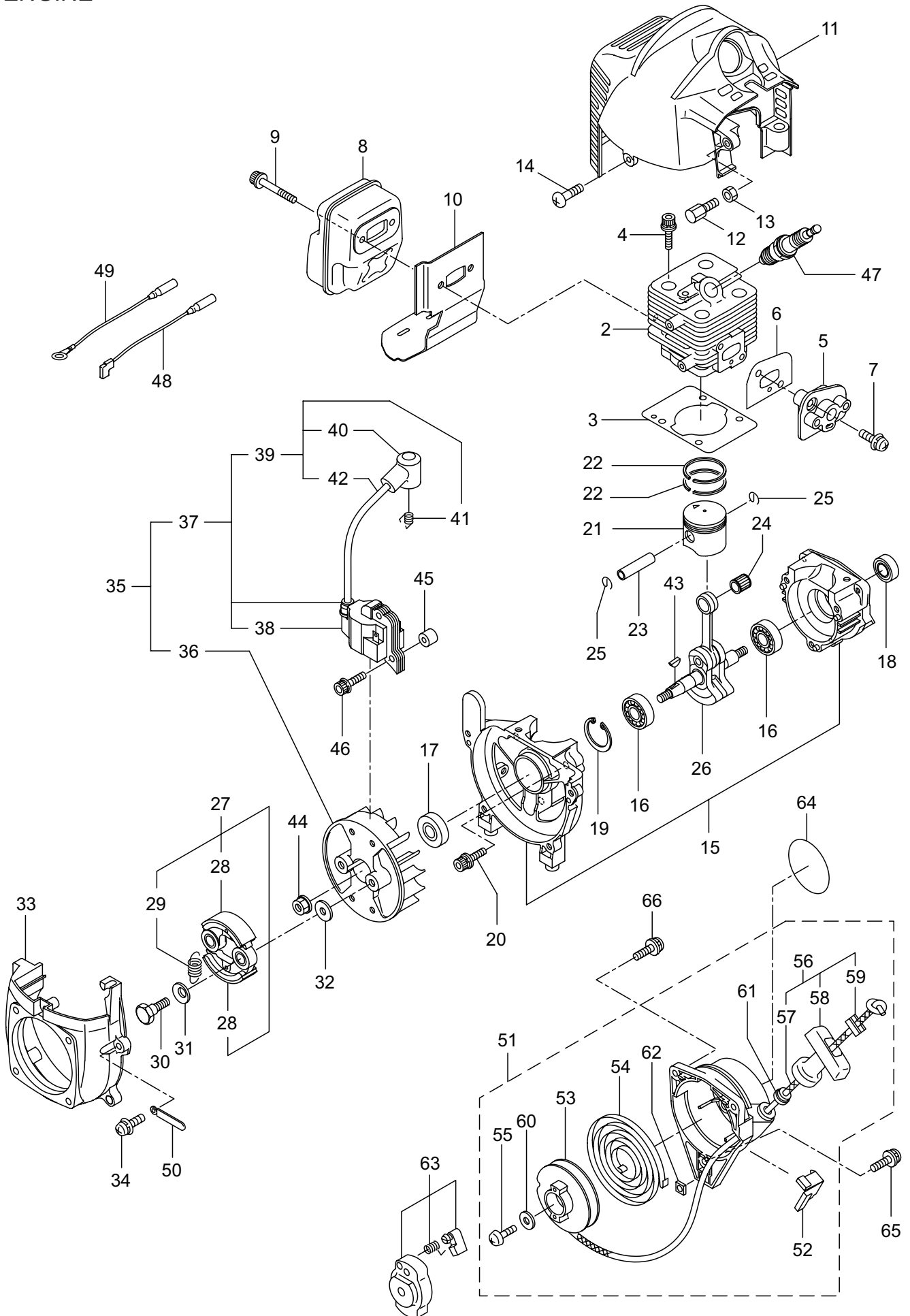
| Ref. No. | Parts No. | Parts Name | Q'ty | Remarks |
|----------|-----------|----------------------|------|-----------|
| 4-1 | 121621 | Reduction Gear Ass'y | 1 | Incl.2-12 |
| 4-2 | 103137 | Clutch Case | 1 | |
| 4-3 | 102680 | Bearing | 2 | #6000ZZ |
| 4-4 | 112184 | Bearing | 1 | 6000DDU |
| 4-5 | 103138 | Gear Case | 1 | |
| 4-6 | 118200 | Pinion Gear | 1 | |
| 4-7 | 103144 | Bearing | 1 | #6004ZZ |
| 4-8 | 121622 | Crankshaft | 1 | |
| 4-9 | 127367 | Clutch Drum | 1 | |
| 4-10 | 125824 | Bolt | 2 | M6X16 |
| 4-11 | 127219 | Screw | 2 | M6X20 |
| 4-12 | 127227 | Spack | 2 | |
| 4-13 | 118006 | Bearing Case | 1 | |
| 4-14 | 102680 | Bearing | 1 | #6000ZZ |
| 4-15 | 127231 | Bolt | 4 | M6X55 |
| 4-16 | 092548 | Bolt | 4 | M5X15 |

5. MS078D-T
ENGINE



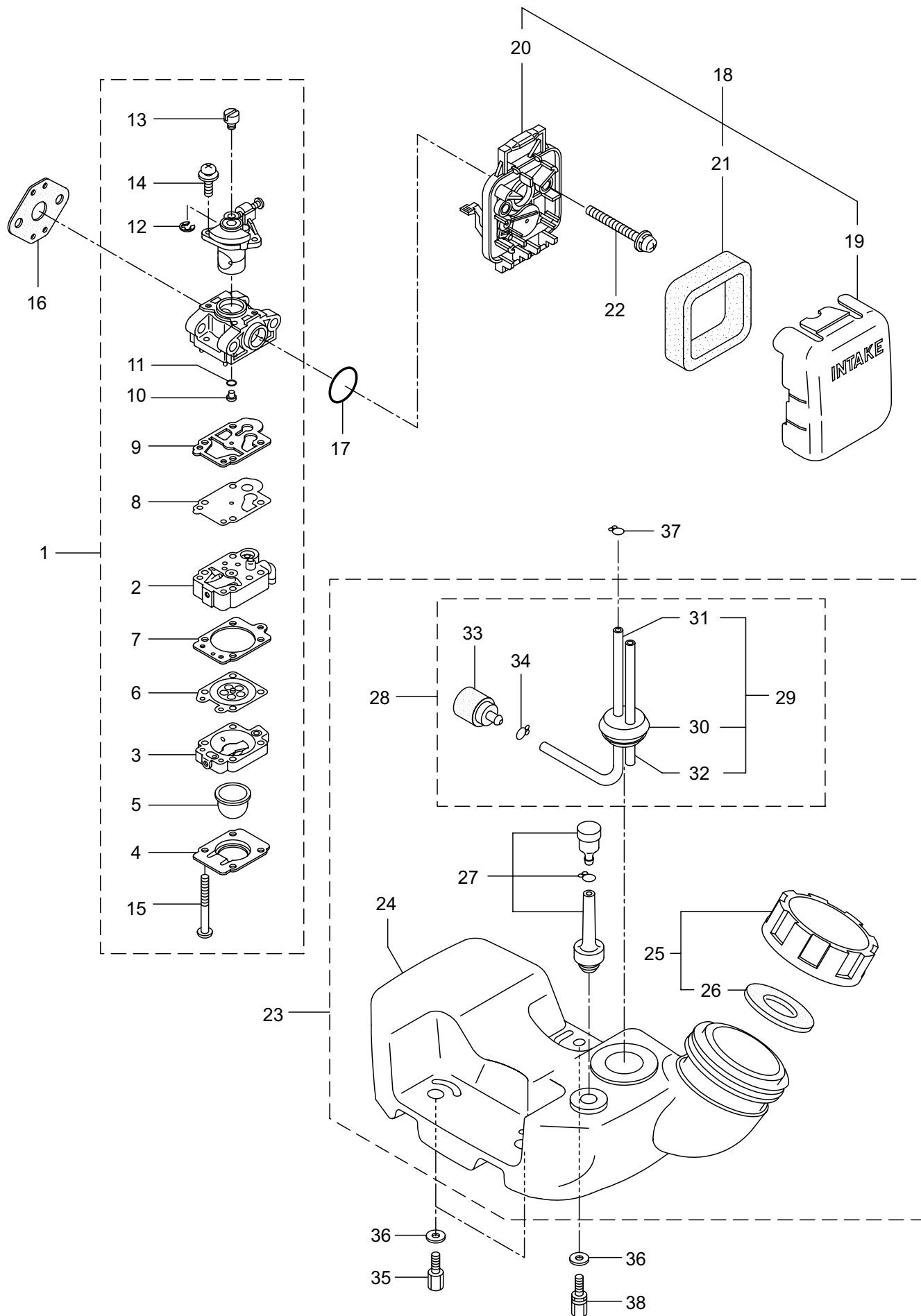
| Ref. No. | Parts No. | Parts Name | Q'ty | Remarks |
|----------|-----------|---------------------------|------|---------------------|
| 5-1 | 859737 | Engine | 1 | EE260PTH/03 |
| 5-2 | 269140 | Cylinder | 1 | |
| 5-3 | 282330 | Gasket | 1 | |
| 5-4 | 261250 | Cap Screw | 4 | M5X20 |
| 5-5 | 263772 | Insulator | 1 | New gasket required |
| 5-6 | 267049 | Gasket | 1 | |
| 5-7 | 269826 | Screw | 2 | M5X25WSW |
| 5-8 | 285102 | Muffler Comp. | 1 | |
| 5-9 | 266264 | Screw | 2 | M5X50 |
| 5-10 | 282252 | Gasket | 1 | |
| 5-11 | 289909 | Top Cover | 1 | |
| 5-12 | 265410 | Screw | 1 | |
| 5-13 | 563099 | Nut | 1 | M6 |
| 5-14 | 280144 | Screw | 1 | M4X16 |
| 5-15 | 282245 | Crankcase | 1 | |
| 5-16 | 280488 | Bearing | 2 | PPL6001 |
| 5-17 | 261492 | Oil Seal | 1 | |
| 5-18 | 261386 | Oil Seal | 1 | |
| 5-19 | 055185 | Snap Ring | 1 | #28 |
| 5-20 | 261612 | Cap Screw | 3 | M5X30 |
| 5-21 | 282328 | Piston | 1 | |
| 5-22 | 261496 | Piston Ring | 2 | (2)Required |
| 5-23 | 261497 | Piston Pin | 1 | |
| 5-24 | 261037 | Bearing, Needle | 1 | |
| 5-25 | 261576 | Clip, Piston | 2 | |
| 5-26 | 282323 | Crankshaft/Conn.Rod Ass'y | 1 | |
| 5-27 | 264887 | Clutch Ass'y | 1 | Incl.28,29 |
| 5-28 | 264888 | Clutch Shoe | 2 | (2)Required |
| 5-29 | 264889 | Spring, Clutch | 1 | |
| 5-30 | 264505 | Clutch Bolt | 2 | |
| 5-31 | 261777 | Wave Washer | 2 | |
| 5-32 | 261189 | Washer | 2 | 6X16.5XT1.2 |
| 5-33 | 283386 | Fan Cover | 1 | |
| 5-34 | 269831 | Screw | 4 | M5X20WSW |
| 5-35 | 282692 | Magneto Ass'y | 1 | Incl.36-42 |
| 5-36 | 261356 | Rotor/Fan | 1 | |
| 5-37 | 282693 | Ignition Coil Ass'y | 1 | Incl.38-42 |
| 5-38 | 267401 | Coil | 1 | |
| 5-39 | 282694 | Spark Plug Wire Ass'y | 1 | Incl.40-42 |
| 5-40 | 261074 | Plug Boot | 1 | |
| 5-41 | 261075 | Connector | 1 | |
| 5-42 | 282695 | Spark Plug Wire | 1 | |
| 5-43 | 261076 | Woodruff Key | 1 | 3X10 |
| 5-44 | 261417 | Nut, Rotor | 1 | M8 |
| 5-45 | 280381 | Spacer | 2 | |

5. MS078D-T
ENGINE



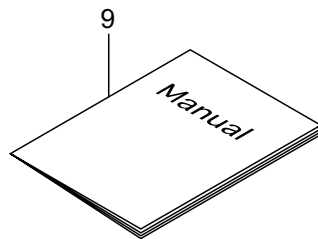
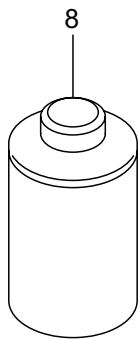
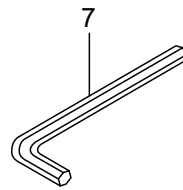
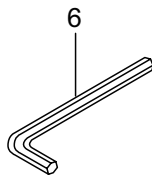
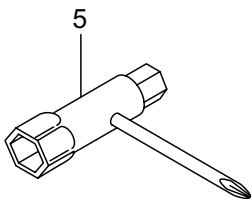
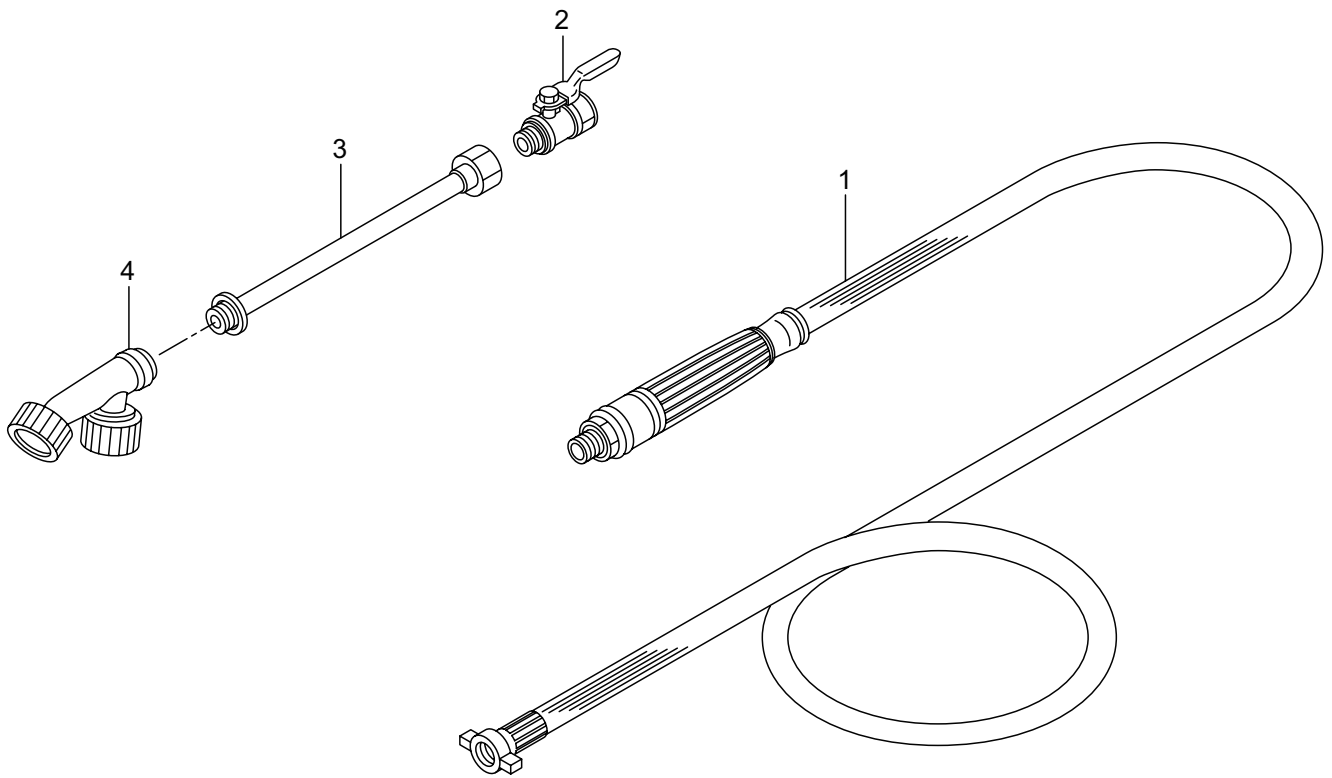
| Ref. No. | Parts No. | Parts Name | Q'ty | Remarks |
|----------|-----------|--------------------|------|------------|
| 5-46 | 261256 | Cap Screw | 2 | M4X25 |
| 5-47 | 264652 | Spark Plug | 1 | CJ8Y |
| 5-48 | 267492 | Wire, Lead | 1 | |
| 5-49 | 282880 | Wire, Lead | 1 | |
| 5-50 | 264588 | Clamp | 1 | |
| 5-51 | 273093 | Recoil Ass'y | 1 | Incl.52-62 |
| 5-52 | 288500 | Plate | 1 | |
| 5-53 | 280492 | Reel | 1 | |
| 5-54 | 287421 | Spiral Spring | 1 | |
| 5-55 | 280494 | Set Screw | 1 | |
| 5-56 | 280495 | Starter Rope Ass'y | 1 | Incl.57-59 |
| 5-57 | 283616 | Starter Rope | 1 | |
| 5-58 | 280497 | Starter Knob | 1 | |
| 5-59 | 280550 | Rope Stopper | 1 | |
| 5-60 | 280547 | Washer | 1 | |
| 5-61 | 280548 | Collar | 1 | |
| 5-62 | 269423 | Nut | 1 | M5 |
| 5-63 | 287399 | Starter Pawl Ass'y | 1 | |
| 5-64 | 563121 | Label | 1 | EE260P |
| 5-65 | 269833 | Screw | 1 | M4X16WSW |
| 5-66 | 280489 | Screw | 2 | M4X20WSW |

6. MS078D-T
CARBURETOR, FUEL TANK



| Ref. No. | Parts No. | Parts Name | Q'ty | Remarks |
|----------|-----------|-------------------------|------|------------|
| 6-1 | 275045 | Carburetor Ass'y | 1 | Incl.2-15 |
| 6-2 | 263739 | Pump Body | 1 | |
| 6-3 | 262991 | Purge Body | 1 | |
| 6-4 | 262992 | Cover Plate | 1 | |
| 6-5 | 261874 | Primer Bulb | 1 | |
| 6-6 | 283905 | Diaphragm, Meterring | 1 | |
| 6-7 | 262993 | Gasket | 1 | |
| 6-8 | 262994 | Diaphragm, Fuel Pump | 1 | |
| 6-9 | 282576 | Gasket | 1 | |
| 6-10 | 267358 | Main Jet | 1 | |
| 6-11 | 261871 | O-Ring | 1 | |
| 6-12 | 261876 | E-Ring | 1 | |
| 6-13 | 261658 | Swivel | 1 | |
| 6-14 | 264682 | Screw | 2 | |
| 6-15 | 262996 | Screw | 4 | |
| 6-16 | 261864 | Gasket | 1 | |
| 6-17 | 264691 | O-Ring | 1 | |
| 6-18 | 266420 | Cleaner Cover Ass'y | 1 | Incl.19-21 |
| 6-19 | 264709 | Cleaner Cover | 1 | |
| 6-20 | 266433 | Case Ass'y | 1 | |
| 6-21 | 264695 | Element | 1 | |
| 6-22 | 269834 | Screw | 2 | M5X60WSW |
| 6-23 | 289766 | Fuel Tank Ass'y | 1 | Incl.24-34 |
| 6-24 | 282250 | Fuel Tank | 1 | |
| 6-25 | 563032 | Fuel Tank Cap Ass'y | 1 | Incl.26 |
| 6-26 | 269377 | Gasket | 1 | |
| 6-27 | 289352 | Breather Ass'y | 1 | |
| 6-28 | 289767 | Fuel Pipe Pick-up Ass'y | 1 | Incl.29-34 |
| 6-29 | 289768 | Fuel Pipe Ass'y | 1 | Incl.30-32 |
| 6-30 | 288192 | Grommet | 1 | |
| 6-31 | 563016 | Fuel Pipe | 1 | 3X5X160 |
| 6-32 | 288194 | Return Pipe | 1 | 3X6X85 |
| 6-33 | 264653 | Filter Ass'y | 1 | |
| 6-34 | 563014 | Clip | 1 | |
| 6-35 | 563119 | Extension | 2 | |
| 6-36 | 283688 | Washer | 3 | 5.5X12X1.6 |
| 6-37 | 563014 | Clip | 1 | |
| 6-38 | 563142 | Extension | 1 | |

7. MS078D-T
ACCESSORIES



| Ref. No. | Parts No. | Parts Name | Q'ty | Remarks |
|----------|-----------|----------------------|------|-----------|
| 7-1 | 273610 | Hose Ass'y | 1 | |
| 7-2 | 105891 | Ball Cock | 1 | G1/4XG1/4 |
| 7-3 | 273611 | Nozzle Pipe Ass'y | 1 | 600L |
| 7-4 | 563057 | Wide Nozzle Ass'y | 1 | |
| 7-5 | 127099 | Box Spanner | 1 | 13X19X(+) |
| 7-6 | 062047 | Wrench | 1 | 3mm |
| 7-7 | 105489 | Wrench | 1 | 4mm |
| 7-8 | 022540 | Fuel Blending Bottle | 1 | 0.5L |
| 7-9 | 563122 | Instruction Manual | 1 | MS078D |